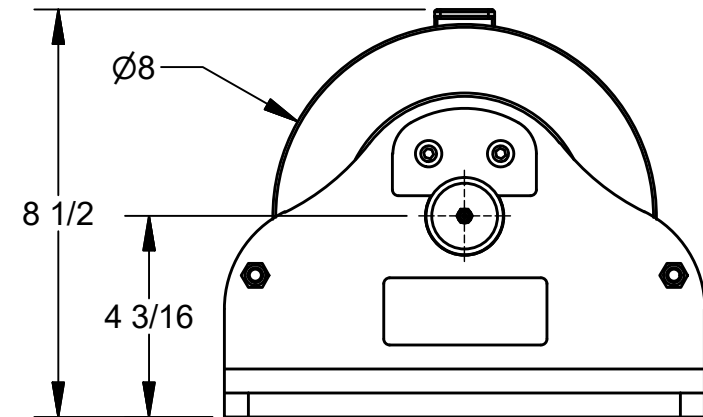


VLB-G44 SPECIFICATIONS	
SHEAVE OUTER DIAMETER:	8 IN (203 mm)
ROPE DIAMETER:	7/16 IN (11 mm)
MOUNTING FASTENERS:	3/4 IN (M20)
TOTAL WORKING LOAD LIMIT:	11600 LBS (5262 kg)
LINE LOAD LIMIT:	5800 LBS (2631 kg)



REVISION HISTORY				
ZONE	REV	DESCRIPTION	DATE	APPROVED
	A	SEE ECN 13157	2/1/2019	DF
	B	SEE ECN 13326	4/15/2019	DF

DRAWINGS FOR PRODUCTION APPROVAL. MANUFACTURE WILL NOT BEGIN UNTIL APPROVED DRAWING IS RETURNED TO THERN INC.

COMPANY NAME _____
 PRINT NAME _____
 SIGNATURE _____ DATE _____

THIS PRINT AND THE INFORMATION HEREIN IS THE PROPERTY OF THERN INC AND MUST NOT BE REPRODUCED EITHER IN FULL OR IN PART WITHOUT WRITTEN APPROVAL BY THERN INC.

MODEL	VLB-G44	THIRD ANGLE PROJECTION	INCH UNITS UNLESS OTHERWISE SPECIFIED DO NOT SCALE DRAWING	TOLERANCES UNLESS SPECIFIED: FRAC. $\pm 1"$ ANGLE $\pm 5^\circ$
-------	---------	------------------------	---	---

SCALE	1=4	DESCRIPTION		DIMENSIONAL DRAWING		 5712 INDUSTRIAL PARK ROAD WINONA, MN 55987 PHONE 1-507-454-2996 WWW.THERN.COM
DATE	9/27/2018	SHEET SIZE	B	PART NO.	A23644	
DRAWN BY	BP	REVISION	B	SHT 1 OF 2		
WEIGHT	37 lbmass					