



PORTABLE DAVIT CRANE

COMMANDER® 1000



thern.com
(507) 454-2996

COMMANDER® 5PT10

PORTABLE DAVIT CRANE



A WORKHORSE DAVIT CRANE Packed with Thoroughbred Features

The 5PT10 Commander 1000 portable davit crane (up to 1,200 pounds) is packed with features making it the “go to” davit crane for many applications. It is designed to lift, lower, and rotate loads 360 degrees, easily and smoothly. Add an optional rotational bearing and 12-position lock system to facilitate moving heavier loads. Easy disassembly and reassembly with quick-release hardware and pins maximize portability. A variety of base options, manual or power operation, and telescoping boom with adjustable boom angles makes it perfect for water/wastewater, manufacturing, marine, construction, and oil and gas applications.



Product Shown:
5PT10-M1

360° Rotation & Flexible Operation

- Heavy-duty Nylatron® bushing at base enhances smooth, 360-degree rotation under load for precise load placement. Optional rotation bearing and lock ease movement and stabilize unloading
- Innovative rotation handle design does not interfere with boom angle adjustment for easier operation
- Telescoping boom and adjustable boom angles allow for precise reach and height positioning
- Choose from manual, drill-drive, or powered winch (electric, pneumatic, or hydraulic motors) operation to accommodate a variety of light or heavy loads and speeds. DC motors and various voltage AC motors available

Enhanced Portability

- Disassembles and reassembles easily, using quick-release hardware and pins for quick transport to storage or bases at other work sites—no tools required
- Move your crane to another location while keeping the wire rope attached to the load using the quick-disconnect feature. Insert the swaged-ball end of the wire rope into the keyhole slot on the gusset of the pedestal base or into an optional wire rope keeper or cable spool

STANDARD CONFIGURATIONS

Series	IMPERIAL/METRIC	
	Description	Up To Capacity
5PT10-M1	Powder-coat crane with M4312PB-K spur gear hand winch	1,200 lbs / 544 kg
5PT10G-M1	Galvanized crane with M4312PB-K spur gear hand winch	1,200 lbs / 544 kg
5PT10-M2	Powder-coat crane with 4WM2-K worm gear hand winch	1,200 lbs / 544 kg
5PT10G-M2	Galvanized crane with 4WM2-K worm gear hand winch	1,200 lbs / 544 kg
5PT10S-M3	Stainless-steel crane with M4312PBSS-K spur gear hand winch	1,200 lbs / 544 kg
5PT10-E2	Powder-coat crane with 4WP2-K electric winch	1,200 lbs / 544 kg
5PT10S-E2X	Stainless-steel crane with gray-epoxy 4WP2EGRA-K electric winch	1,200 lbs / 544 kg

Flexible Configurations

- A variety of base mounting options, including pedestal, flush, and wall-mount, as well as wheel-base, help meet unique lifting needs
- A quick-mount winch bracket is standard (no tools required) and accommodates several Thern winches
- Optional base extension provides additional height without affecting the crane's load rating. Ideal for wall- or flush-mount installations to increase crane height for obstacle clearance or other needs. Creates 15 inches (381 mm) of additional height

Durable Construction & Finish

- Heavy-duty, welded structural steel pipe and tubing limit deflection and meet/exceed ASTM standards
- Corrosion-resistant, powder-coated frame, mast cap, and stainless-steel fasteners resist the elements for long service life
- Galvanized, epoxy, and 304 or 316 stainless-steel finishes are available for corrosive environments

NOTICE: These products are not for lifting people or things over people.

Refer to technical pages for detailed performance information.

TECHNICAL DRAWINGS & SPECIFICATIONS

COMMANDER® 1000

PORTABLE DAVIT CRANE

CONFIGURATIONS

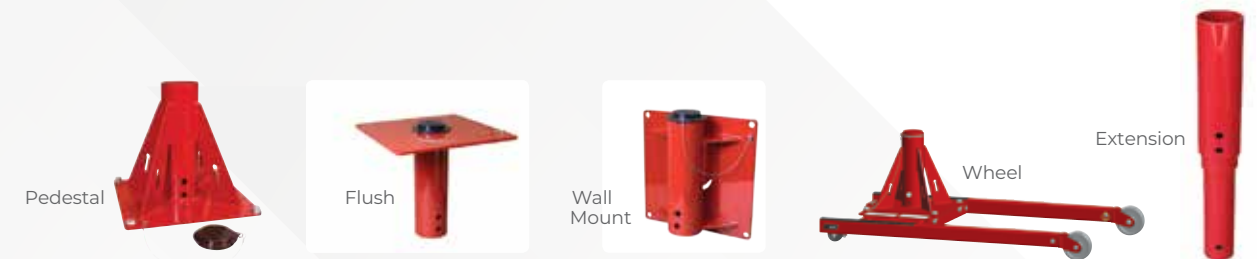
Model	Description	Approx. Ship Wt.	
		(lb)	(kg)
Popular Configurations			
5PT10-M1	up to 1,200 lb capacity with M4312PB-K spur gear hand winch—powder-coat crane	150	68
5PT10G-M1	up to 1,200 lb capacity with M4312PB-K spur gear hand winch—galvanized crane	150	68
5PT10-M2	up to 1,200 lb capacity with 4WM2-K worm gear hand winch—powder-coat crane	164	74
5PT10G-M2	up to 1,200 lb capacity with 4WM2-K worm gear hand winch—galvanized crane	164	74
5PT10S-M3	up to 1,200 lb capacity with M4312PBSS-K spur gear hand winch—stainless-steel crane	150	68
5PT10-E2	up to 1,200 lb capacity with 4WP2-K electric winch—powder-coat crane	207	94
Crane Only			
5PT10	up to 1,200 lb capacity—base model—powder-coat finish	122	55
5PT10G	up to 1,200 lb capacity—base model—galvanized finish	122	55
5PT10S	up to 1,200 lb capacity—base model—304 stainless-steel finish	122	55
5PT10S316	up to 1,200 lb capacity—base model—316 stainless-steel finish	122	55
5PT10X	up to 1,200 lb capacity—base model—epoxy-gray finish	122	55
Winch Only			
M1	M4312PB-K—spur gear hand winch only—zinc plated	28	13
M2	4WM2-K—worm gear hand winch only—powder coat	42	19
M2X	4WM2EGRA-K—worm gear hand winch only—epoxy gray	42	19
M3	M4312PBSS-K—spur gear hand winch only—stainless steel	28	13
E2	4WP2-K electric winch—115/1/60 VAC with 6 ft pendant control—enamel	85	39
E2X	4WP2EGRA-K electric winch—115/1/60 VAC with 6 ft pendant control—epoxy gray	85	39
E4	4777-K electric winch—115/1/60 VAC with 6 ft pendant control—enamel	110	50
E4X	4777EGRA-K electric winch—115/1/60 VAC with 6 ft pendant control—epoxy gray	110	50
E4DC	4777DC-K electric winch—12 volt DC with 10 ft pendant control—enamel	105	48
E4DCX	4777DC-K electric winch—12 volt DC with 10 ft pendant control—epoxy gray	105	48

Independent Bases—sold separately

Pedestal, socket, or wall-mount style.

Wheel base for floor crane operation. Base legs adjust in length and width. See Model 5BR10.

IMPORTANT: Base installation is the customer's responsibility. Thern recommends consulting a civil engineer or other qualified professional. Contact Thern for installation guidelines.



Finish	Pedestal	Flush	Wall	Wheel	Extension
Powder Coat Paint	5BP10	5BF10	5BW10	5BR10	5BE10-15
Galvanized	5BP10G	5BF10G	5BW10G	—	5BE10-15G
304 Stainless Steel	5BP10S	5BF10S	5BW10S	—	5BE10-15S
316 Stainless Steel	5BP10S316	5BF10S316	5BW10S316	—	5BE10-15S316
Epoxy Paint	5BP10X	5BF10X	5BW10X	5BR10X	5BE10-15X
Approximate Ship Weight	52 lbs (24 kg)	44 lbs (20 kg)	48 lbs (22 kg)	285 lbs (130 kg)	—

Wire Rope Assemblies—sold separately

Galvanized or stainless steel wire rope assemblies with swaged-ball fitting to work with the quick-disconnect anchor on the winch. 316 stainless also available. Please contact Thern.

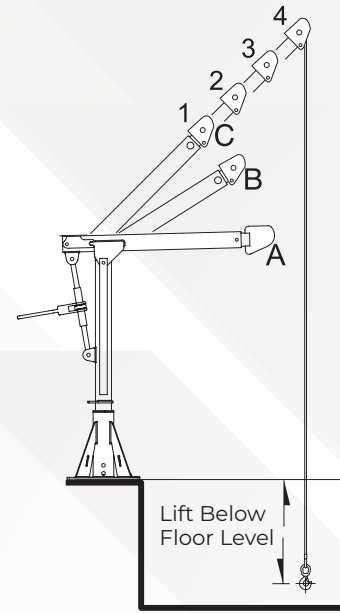
Wire Rope Length	Galvanized Aircraft Cable		304 Stainless Steel Wire Rope	
	3/16" Dia. (4.8 mm)	1/4" Dia. (6.4 mm)	3/16" Dia. (4.8 mm)	1/4" Dia. (6.4 mm)
(ft) (m)	Model No.	Model No.	Model No.	Model No.
20 6.0	WA19-20NS	WA25-20NS	WS19-20NS	WS25-20NS
28 8.5	WA19-28NS	WA25-28NS	WS19-28NS	WS25-28NS
36 10.9	WA19-36NS	WA25-36NS	WS19-36NS	WS25-36NS
45 13.7	WA19-45NS	WA25-45NS	WS19-45NS	WS25-45NS
60 18.2	WA19-60NS	WA25-60NS	WS19-60NS	WS25-60NS
75 22.8	WA19-75NS	WA25-75NS	WS19-75NS	WS25-75NS
90 27.4	WA19-90NS	—	WS19-90NS	—



PERFORMANCE

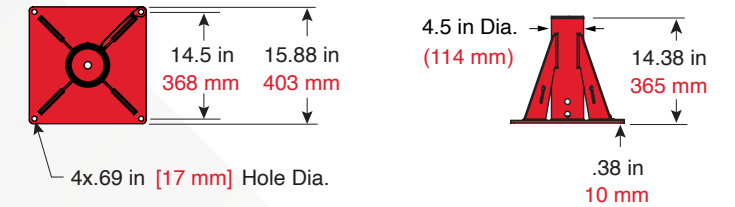
Commander 1000 Lift Below Floor² Level

Lift Below Floor ¹		Wire Rope Diameter		Wire Rope Length ³		Winch Configurations Maximum Winch Rating											
Minimum (C4) Maximum (C1)						M1		M2		M3		E2		E4			
(ft)	(m)	(ft)	(m)	(in)	(mm)	(ft)	(m)	(lbs)	(kg)	(lbs)	(kg)	(lbs)	(kg)	(lbs)	(kg)		
2	0.6	7	2.1	3/16"	5	20	6.0	1,200	544	-	-	1,200	544	-	-	1,200	544
10	3.0	15	4.5	3/16"	5	28	8.5	1,200	544	-	-	1,200	544	-	-	1,200	544
18	5.4	23	7.0	3/16"	5	36	10.9	1,200	544	-	-	1,200	544	-	-	1,200	544
27	8.2	32	9.7	3/16"	5	45	13.7	1,200	544	-	-	1,200	544	-	-	1,200	544
42	12.8	47	14.3	3/16"	5	60	18.2	1,200	544	-	-	1,200	544	-	-	1,200	544
57	17.3	62	18.8	3/16"	5	75	22.8	1,200	544	-	-	1,200	544	-	-	1,200	544
72	21.9	77	23.4	3/16"	5	90	27.4	1,200	544	-	-	1,200	544	-	-	1,200	544
102	31.0	107	32.6	3/16"	5	120	36.5	-	-	-	-	-	-	-	-	1,200	544
2	0.6	7	2.1	1/4"	6	20	6.0	1,200	544	1,200	544	1,200	544	1,200	544	1,200	544
10	3.0	15	4.5	1/4"	6	28	8.5	1,200	544	1,200	544	1,200	544	1,200	544	1,200	544
18	5.4	23	7.0	1/4"	6	36	10.9	1,200	544	1,200	544	1,200	544	1,200	544	1,200	544
27	8.2	32	9.7	1/4"	6	45	13.7	1,200	544	1,200	544	1,200	544	1,200	544	1,200	544
42	12.8	47	14.3	1/4"	6	60	18.2	1,200	544	1,200	544	1,200	544	1,200	544	1,200	544
57	17.3	62	18.8	1/4"	6	75	22.8	-	-	1,200	544	-	-	1,200	544	1,200	544
72	21.9	77	23.4	1/4"	6	90	27.4	-	-	-	-	-	-	-	-	1,200	544
102	31.0	107	32.6	1/4"	6	120	36.5	-	-	-	-	-	-	-	-	-	-
2	0.6	7	2.1	5/16"	8	20	6.0	1,200	544	1,200	544	1,200	544	1,200	544	1,200	544
10	3.0	15	4.5	5/16"	8	28	8.5	1,200	544	1,200	544	1,200	544	1,200	544	1,200	544
18	5.4	23	7.0	5/16"	8	36	10.9	1,200	544	1,200	544	1,200	544	1,200	544	1,200	544
27	8.2	32	9.7	5/16"	8	45	13.7	1,200	544	1,200	544	1,200	544	1,200	544	1,200	544
42	12.8	47	14.3	5/16"	8	60	18.2	-	-	-	-	-	-	-	-	1,200	544
57	17.3	62	18.8	5/16"	8	75	22.8	-	-	-	-	-	-	-	-	-	-
72	21.9	77	23.4	5/16"	8	90	27.4	-	-	-	-	-	-	-	-	-	-
102	31.0	107	32.6	5/16"	8	120	36.5	-	-	-	-	-	-	-	-	-	-



Commander 1000 with Pedestal Base Reach & Height Above Floor¹

Boom Position	Hook Reach		Hook Height	
	(in)	(mm)	(in)	(mm)
A-1	36	914	42	1,066
A-2	46	1,168	42	1,066
A-3	56	1,422	42	1,066
A-4	66	1,676	42	1,066
B-1	29	736	56	1,422
B-2	38	965	60	1,524
B-3	47	1,193	65	1,651
B-4	56	1,422	69	1,752
C-1	22	558	64	1,625
C-2	29	736	71	1,803
C-3	36	914	78	1,981
C-4	43	1,092	85	2,159



Commander 1000 Pedestal Base

- 5BP10
- 5BP10G
- 5BP10S
- 5BP10S316
- 5BP10X

¹Performance Characteristics are for standard products. Non-standard products may vary from the original design. Contact Thern, Inc. for this information.

Dimensions are for reference only and subject to change without notice.

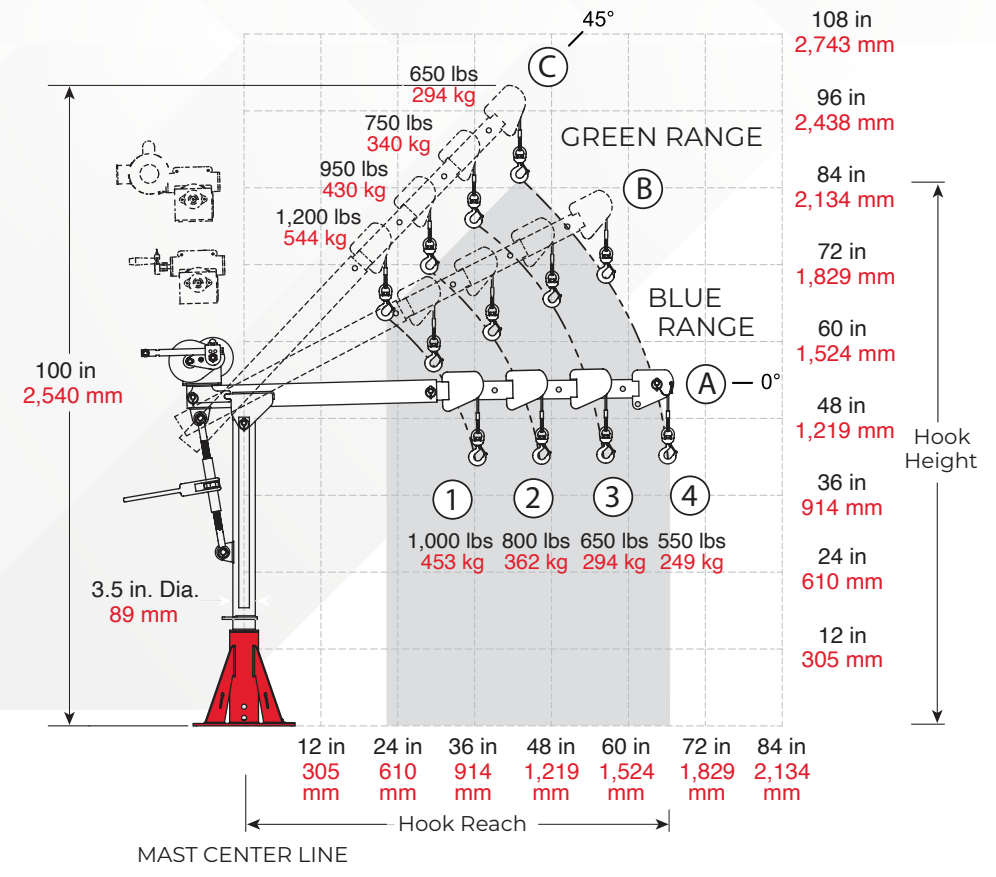
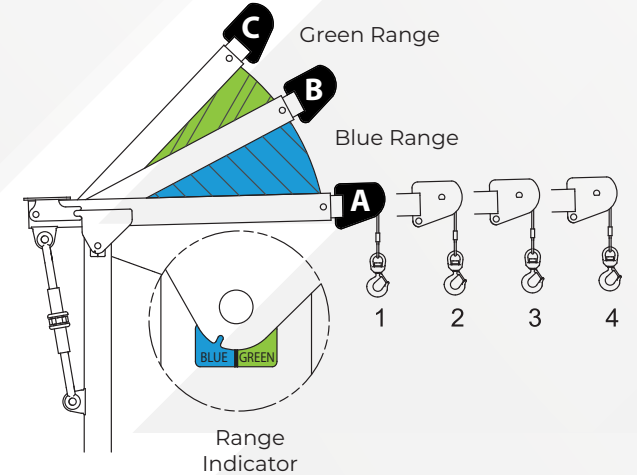
¹Lift below floor level varies depending on boom position and base configuration. For longer lifts, please contact factory.
²Performance characteristics are for standard products referred to in this manual. Non-standard products may vary from the original design. Contact Thern, Inc. for this information.
³Wire rope assemblies include a hook and a swaged-ball fitting to work with quick-disconnect anchor on winches, and 316SS wire rope is also available. Please contact the factory.

Winch Configurations



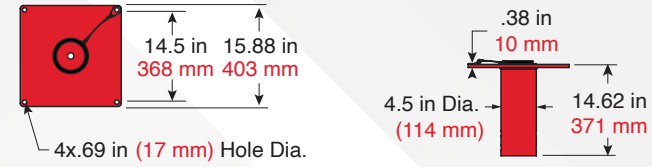
Commander 1000 Performance Ratings²

	Boom Position	Load Rating	
		(lb)	(kg)
BLUE RANGE	A-1	1,000	453
	A-2	800	362
	A-3	650	294
	A-4	550	249
GREEN RANGE	B-1	1,200	544
	B-2	950	430
	B-3	750	340
	B-4	650	294
	C-1	1,200	544
	C-2	950	430
	C-3	750	340
	C-4	650	294



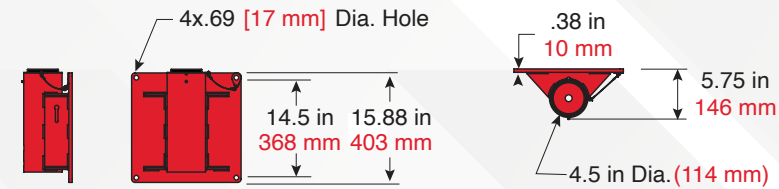
Commander 1000 with Flush- or Wall-Mount Base Reach & Height Above Floor¹

Boom Position	Hook Reach		Hook Height	
	(in)	(mm)	(in)	(mm)
A-1	36	914	28	711
A-2	46	1,168	28	711
A-3	56	1,422	28	711
A-4	66	1,676	28	711
B-1	29	736	42	1,066
B-2	38	965	46	1,168
B-3	47	1,193	51	1,295
B-4	56	1,422	55	1,397
C-1	22	558	50	1,270
C-2	29	736	57	1,447
C-3	36	914	64	1,625
C-4	43	1,092	71	1,803



Commander 1000 Flush-Mount Base

5BF10 5BF10G 5BF10S
5BF10S316 5BF10X



Commander 1000 Wall-Mount Base

5BW10 5BW10G 5BW10S
5BW10S316 5BW10X

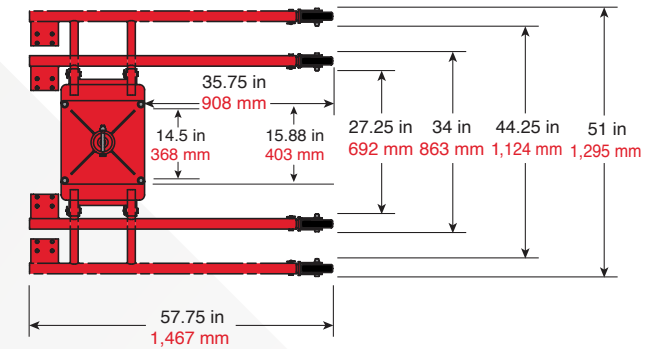
¹Performance Characteristics are for standard products. Non-standard products may vary from the original design. Contact Thern, Inc. for this information.

Dimensions are for reference only and subject to change without notice.

Commander 1000 on Wheel Base Reach & Height Above Floor

Boom Position	Hook Reach		Hook Height	
	(in)	(mm)	(in)	(mm)
A-1	36	914	48	1,219
A-2	46	1,168	48	1,219
A-3	56	1,422	48	1,219
A-4	66	1,676	48	1,219
B-1	29	736	62	1,574
B-2	38	965	66	1,676
B-3	47	1,193	71	1,803
B-4	56	1,422	75	1,905
C-1	22	558	70	1,778
C-2	29	736	77	1,955
C-3	36	914	84	2,133
C-4	43	1,092	91	2,311

Dimensions are for reference only and subject to change without notice.



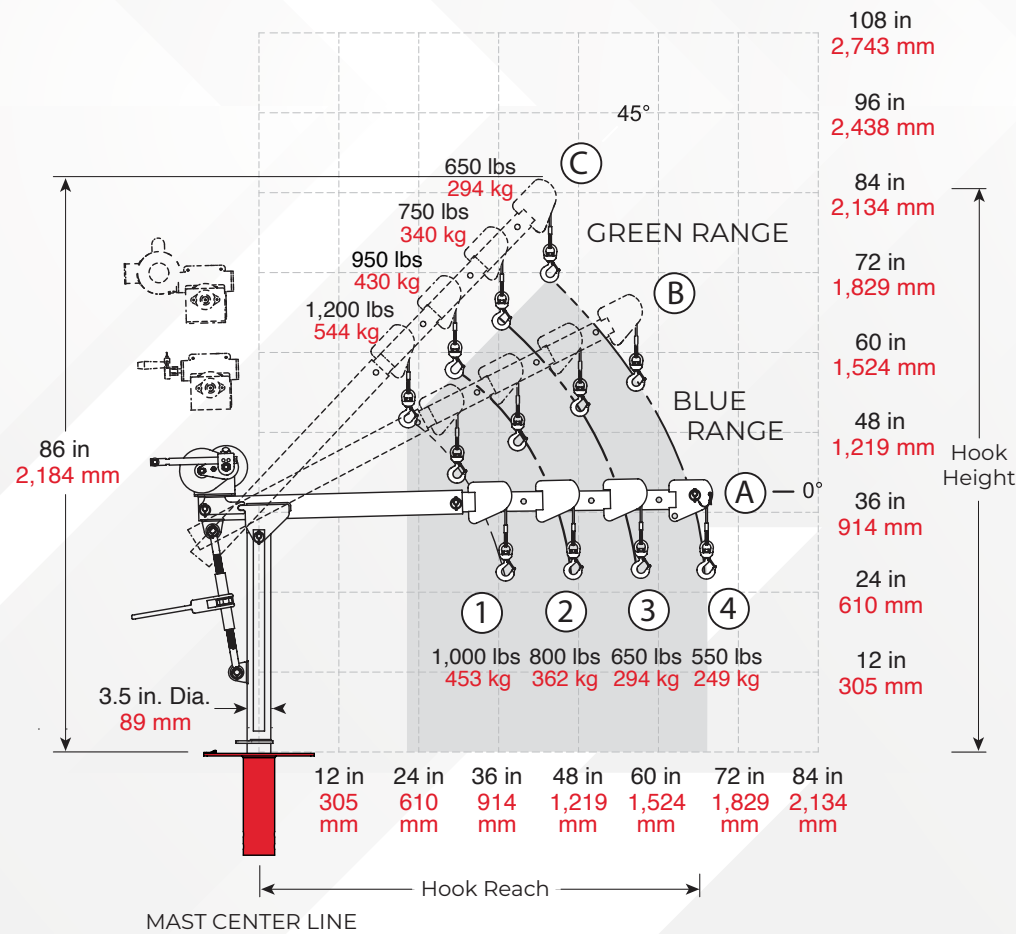
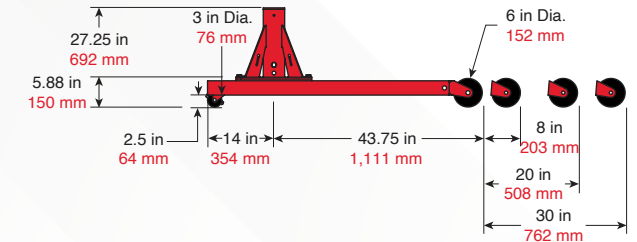
Commander 1000 Wheel Base

5BR10 5BR10X

Commander 1000 Wheel Base Load Ratings

Boom Position	Leg Pos. 1		Leg Pos. 2		Leg Pos. 3		Leg Pos. 4		
	(lb)	(kg)	(lb)	(kg)	(lb)	(kg)	(lb)	(kg)	
A/B-1	SEE LOAD RATINGS ON CRANE								
A/B-2									
A/B-3									DO NOT USE
A/B-4									DO NOT USE

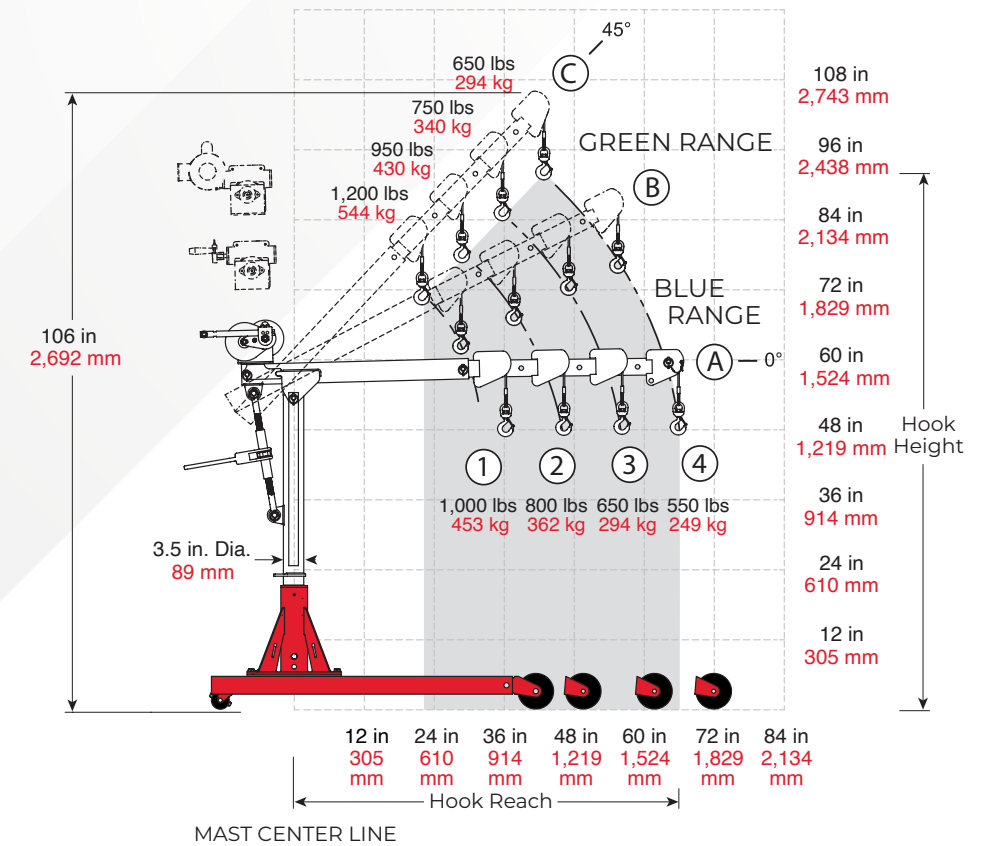
Dimensions are for reference only and subject to change without notice.



Commander 1000 on Wheel Base



IMPORTANT:
Crane DOES NOT rotate when assembled in 5BR10 wheel base.



MADE IN USA 

Thern, Incorporated
World Headquarters
5712 Industrial Park Road Winona, MN USA
Toll Free: 1-800-843-7648
Phone: 1-507-454-2996
www.thern.com

Thern Europe
Siriusdreef 17-27
2132 WT Hoofddorp, The Netherlands
Phone: +31-546-898-380
europa@thern.com