



STATIONARY DAVIT CRANE

# CAPTAIN<sup>®</sup> 10,000 SERIES



# CAPTAIN® 5FT100

## STATIONARY DAVIT CRANE

### UNMATCHED LIFTING CAPACITY with Superior Reach

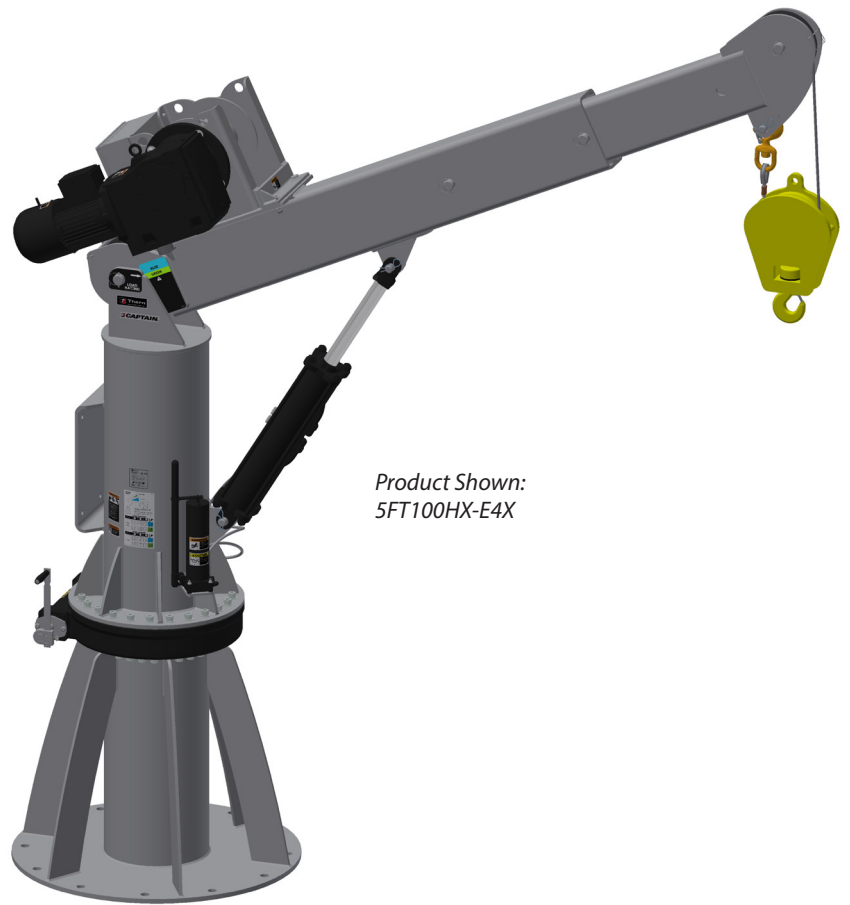
The 5FT100 Captain Series stationary davit crane is engineered for extraordinary lifting power, handling loads up to 11,000 pounds (5000 kg) with ease. Its extended capabilities include a hook height and reach of over 10 feet (3 m), making it ideal for demanding tasks in marine, industrial, and energy applications. The integral slewing drive ensures smooth, 360-degree rotation under load, allowing precise positioning of heavy equipment. Featuring a durable epoxy finish, the 5FT100 resists corrosion in the harshest environments for long-lasting performance. Available with multiple winch options the crane provides versatility to match your operational needs.

### 360° Rotation & Powerful Functionality

- Slewing drive facilitates smooth, 360-degree rotation under heavy loads for precise placement.
- Telescoping boom offers 3 extended positions for increased versatility.
- Choose from manual or powered winch options to accommodate a range of power and speed requirements.
- Compatible with CE standards.

### Crane Features & Configurations

- Robust epoxy finish standard, ensuring superior resistance to corrosion and wear.
- Available winches include manually operated and electric models in various voltages to meet a variety of needs.



Product Shown:  
5FT100HX-E4X

# STANDARD CONFIGURATIONS

Series	IMPERIAL/METRIC	
	Description	Up To Capacity
5FT100HX-M1X	Gray epoxy crane with hydraulic cylinder and M492BEGRA-K spur gear hand winch	11,000 lbs/ 5000 kg
5FT100HX5-M1X5	Safety yellow epoxy crane with hydraulic cylinder and M492BEYEL-K spur gear hand winch	11,000 lbs/ 5000 kg
5FT100HX-E3X	Gray epoxy crane with hydraulic cylinder and 4HWF6MX-K helical-worm gear power winch	11,000 lbs/ 5000 kg
5FT100HX5-E3X5	Safety yellow epoxy crane with hydraulic cylinder and 4HWF6MX5-K helical-worm gear power winch	11,000 lbs/ 5000 kg
5FT100HX-E4X	Gray epoxy crane with hydraulic cylinder and 4HBN7MX-K helical-bevel power winch	11,000 lbs/ 5000 kg
5FT100HX5-E4X5	Safety yellow crane with hydraulic cylinder and 4HBN7MX5-K helical-bevel power winch	11,000 lbs/ 5000 kg

## Built for Durability & Extreme Conditions

- Heavy-duty steel construction meets ASTM standards for strength and reliability.
- Durable epoxy finish offers the ultimate in corrosion resistance, suitable for saltwater and other harsh environments.
- Standard color is gray. Safety yellow and other color options also available.

*Note: Requires two-part line kit sold separately.*

## Exceptional Versatility

The 5FT100 is the go-to solution for lifting applications requiring immense power, precise control, and long-lasting durability. Its innovative design and advanced features make it an essential tool for industries such as marine, construction, oil and gas, and water/wastewater management.

Refer to technical pages for detailed performance information.



NOTICE: These products are not for lifting people or things over people.

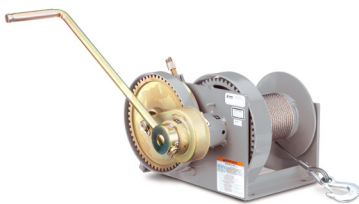
# CAPTAIN® 10,000

## STATIONARY DAVIT CRANE

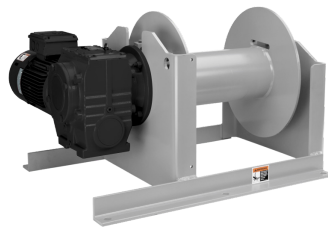
### CONFIGURATIONS

MODEL	DESCRIPTION	APPROX. SHIP WT.	
		POUNDS	KILOGRAMS
<b>POPULAR CONFIGURATIONS</b>			
5FT100HX-E3ELX	up to 11,00 lb capacity with 4HWF6MX-KEL limit switch ready helical worm-gear electric winch and hydraulic cylinder—gray epoxy crane	3060	1388
5FT100HX-E4ELX	up to 11,00 lb capacity with 4HBN7MX-KEL limit switch ready helical bevel-gear electric winch and hydraulic cylinder—gray epoxy crane	3125	1418
<b>CRANE ONLY</b>			
5FT100HX	up to 11,000 lb capacity—with hydraulic cylinder—gray epoxy crane	2576	1169
5FT100HX5	up to 11,000 lb capacity—with hydraulic cylinder—safety yellow epoxy crane	2576	1169
<b>WINCH ONLY</b>			
M1X	M492BEGRA-K spur gear hand winch only—gray epoxy finish	167	74
M1X5	M492BEYEL-K spur gear hand winch only—yellow epoxy finish	167	74
E3DLX	4HWF6MX-KDL limit switch ready electric winch—230/3/60 VAC with 10 ft pendant control—gray epoxy finish	3060	1388
E3DLX5	MHWF6MX5-KDL limit switch ready electric winch—230/3/60 VAC with 10 ft pendant control—safety yellow epoxy finish	3060	1388
E3ELX	MHWF6MX-KEL limit switch ready electric winch—460/3/60 VAC with a 10 ft pendant control—gray epoxy finish	3060	1388
E3ELX5	MHWF6MX5-KEL limit switch ready electric winch—460/3/60 VAC with a 10 ft pendant control—safety yellow epoxy finish	3060	1388
E4DLX	4HBN7MX-KDL limit switch ready electric winch—230/3/60 VAC with 10 ft pendant control—gray epoxy finish	3125	1418
E4DLX5	4HBN7MX5-KDL limit switch ready electric winch—230/3/60 VAC with 10 ft pendant control—safety yellow epoxy finish	3125	1418
E4ELX	4HBN7MX-KEL limit switch ready electric winch—460/3/60 VAC with 10 ft pendant control—gray epoxy finish	3125	1418
E4ELX5	4HBN7MX5-KEL limit switch ready electric winch—460/3/60 VAC with 10 ft pendant control—safety yellow epoxy finish	3125	1418

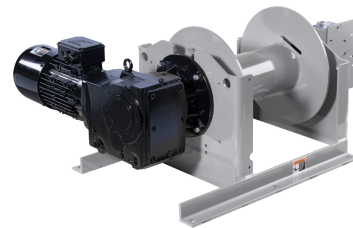
### Winch Configurations



Model: M1X  
Spur Gear Hand Winch

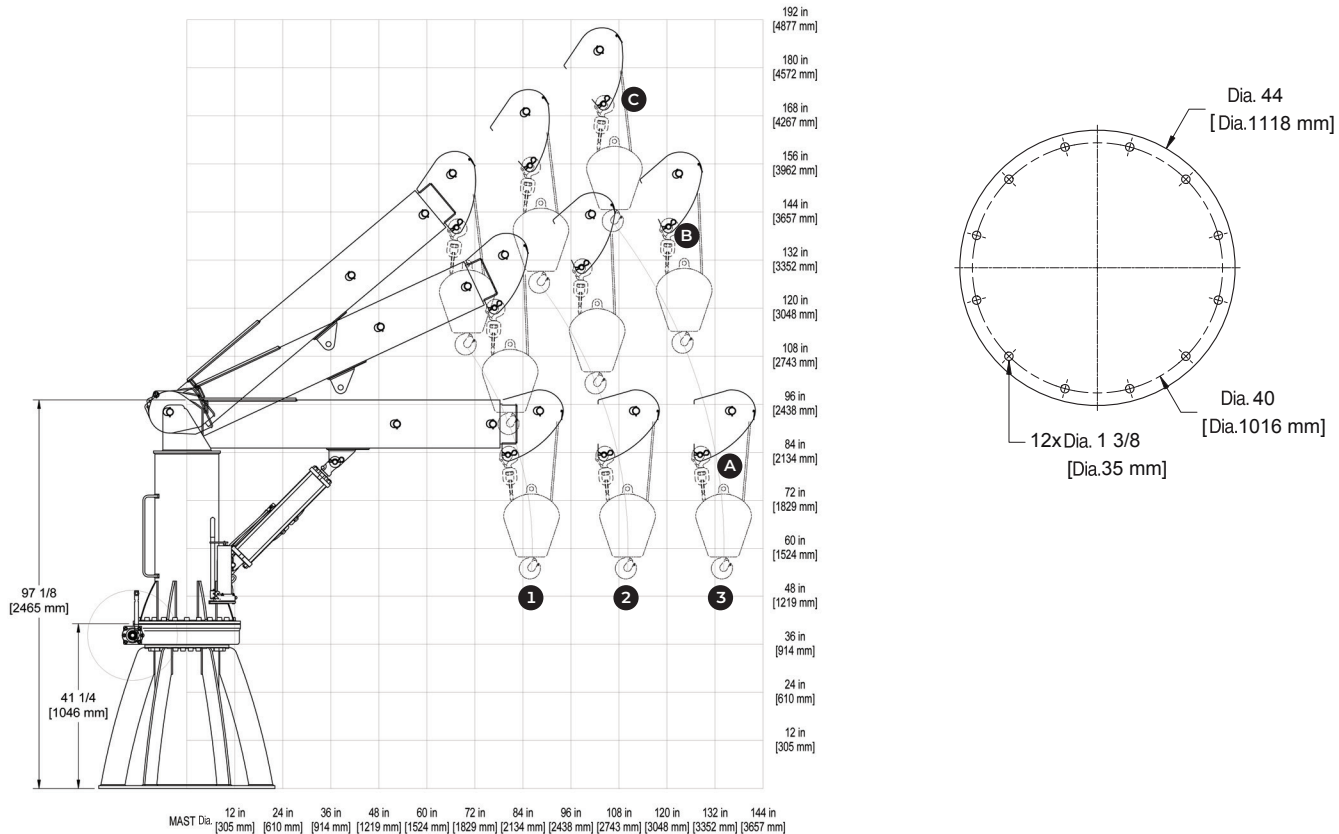


Model: E3X  
Electric Winch



Model: E4X  
Electric Winch

# PERFORMANCE



## IMPERIAL

BOOM POSITION	1ST LAYER LOAD RATING*	HOOK REACH	HOOK HEIGHT**
	LB		
A-1	11,000	86	56
A-2	9000	110	56
A-3	7500	134	56
B-1	11,000	80	92
B-2	11,000	101	102
B-3	10,000	123	112
C-1	11,000	70	112
C-2	11,000	88	27
C-3	10,000	107	142

## METRIC

BOOM POSITION	1ST LAYER LOAD RATING*	HOOK REACH	HOOK HEIGHT**
	KG		
A-1	5000	2184	1422
A-2	4080	2794	1422
A-3	3400	3403	1422
B-1	5000	2032	2336
B-2	5000	2565	2590
B-3	4535	3124	2844
C-1	5000	1778	2844
C-2	5000	2235	3225
C-3	4535	2718	3606

\*Crane maximum load rating. Load rating may decrease as layers of rope wind onto the winch drum. Refer to winch specific information.

\*\*Hook heights shown with optional 5FT100TPL two-part line kit.

Information is for reference only and subject to change without notice.

Contact factory for non-standard product requirements.



NOTICE: These products are not for lifting people or things over people.

# PERFORMANCE

## Captain 10,000 5FT100 Series Lift Below Floor<sup>1</sup> Level

\*Requires two-part line kit sold separately.

### IMPERIAL

LIFT BELOW FLOOR <sup>2</sup>				WINCH OPTION		
MINIMUM (C3)	MAXIMUM (C1)	WIRE ROPE DIAMETER	WIRE ROPE LENGTH <sup>3</sup>	M1	E3	E4
FEET	FEET	INCHES	FEET	POUNDS		
-3	2	7/16	45	11,000*	11,000*	11,000*
5	10	7/16	60	11,000*	11,000*	11,000*
12	17	7/16	75	11,000*	9800*	11,000*
20	25	7/16	90	11,000*	9800*	11,000*
35	40	7/16	120	11,000*	9000*	11,000*
50	55	7/16	150	11,000*	8200*	11,000*
75	80	7/16	200	11,000*	-	11,000*
100	105	7/16	250	-	-	-
-2	4	1/2	36	7600	5500	7200
7	13	1/2	45	7600	5300	7200
22	28	1/2	60	7600	5300	7200
37	43	1/2	75	7600	4700	7200
52	58	1/2	90	7600	4700	6800
82	88	1/2	120	7600	4300	6800
112	118	1/2	150	7000	-	6200
162	168	1/2	200	-	-	-
-2	4	9/16	36	-	5200	7200
7	13	9/16	45	-	5200	7200
22	28	9/16	60	-	5200	7200
37	43	9/16	75	-	4600	7200
52	58	9/16	90	-	4100	6600
82	88	9/16	120	-	4100	6600
112	118	9/16	150	-	-	-
-2	4	5/8	36	-	-	7200
7	13	5/8	45	-	-	7200
22	28	5/8	60	-	-	7200
37	43	5/8	75	-	-	6400
52	58	5/8	90	-	-	6400
82	88	5/8	120	-	-	5800
112	118	5/8	150	-	-	-

### METRIC

LIFT BELOW FLOOR <sup>2</sup>				WINCH OPTION		
MINIMUM (C3)	MAXIMUM (C1)	WIRE ROPE DIAMETER	WIRE ROPE LENGTH <sup>3</sup>	M1	E3	E4
M	M	MM	M	KG		
0	0	11	13	5000*	5000*	5000*
1	3	11	18	5000*	5000*	5000*
3	5	11	22	5000*	4445*	5000*
6	7	11	27	5000*	4445*	5000*
10	12	11	36	5000*	4080*	5000*
15	16	11	45	5000*	3720*	5000*
22	24	11	60	5000*	-	5000*
30	32	11	76	-	-	-
0	1	13	10	3445	2495	3265
2	3	13	13	3445	2400	3265
6	8	13	18	3445	2400	3265
11	13	13	22	3445	2130	3265
15	17	13	27	3445	2130	3085
24	26	13	36	3445	1950	3085
34	35	13	45	3175	-	2810
49	51	13	60	-	-	-
0	1	14	10	-	2355	3265
2	3	14	13	-	2355	3265
6	8	14	18	-	2355	3265
11	13	14	22	-	2085	3265
15	17	14	27	-	1860	2990
24	26	14	36	-	1860	2990
34	35	14	45	-	-	-
0	1	16	10	-	-	3265
2	3	16	13	-	-	3265
6	8	16	18	-	-	3265
11	13	16	22	-	-	2900
15	17	16	27	-	-	2900
24	26	16	36	-	-	2630
34	35	16	45	-	-	-

<sup>1</sup>Performance characteristics are for standard products. Non-standard products may vary from the original design. Contact Thern, Inc. for this information.

<sup>2</sup>Lift below floor level varies depending on boom position and base configuration. For longer lifts, please contact factory.

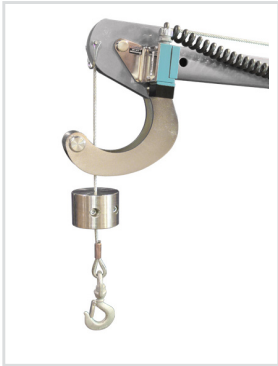
ACCESSORIES

# CAPTAIN® 10,000

STATIONARY DAVIT CRANE

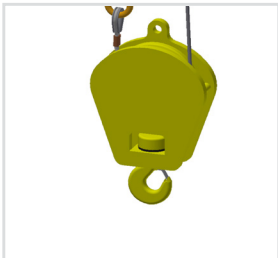
## Limit Switch Ready Winch Options

NOTE: Limit switch winch option requires purchase of Limit Switch and Headache Ball (sold separately)



Model	Description
5FT100LS-EL-TPL	For two-part line

## Two-Part Line Kit



Model	Description
5FT100TPL	Yellow crane block for two part line Swivel hook with safety latch and split pin

## Headache Ball



Model	Description
HB30S-44-63	Stainless steel 30 lb fits 7/16-5/8 rope
HB30X-44-63	Gray epoxy 30 lb fits 7/16-5/8 rope
HB30X5-44-63	Yellow epoxy 30 lb fits 7/16-5/8 rope



# LEAVE THE HEAVY LIFTING TO US

## **THERN, INCORPORATED**

World Headquarters & Manufacturing  
5712 Industrial Park Road Winona, MN USA  
Toll Free: 1-800-843-7648  
Phone: 1-507-454-2996  
[www.thern.com](http://www.thern.com)

## **THERN EUROPE**

EU Headquarters  
Siriusdreef 17-27, 2132 WT  
Hoofddorp, The Netherlands  
Phone: +31-546-898-380  
[europe@thern.eu](mailto:europe@thern.eu)  
[www.thern.com](http://www.thern.com)



MADE IN THE USA