



Read this Owner's Manual thoroughly before operating the equipment. Keep it with the equipment at all times. Replacements are available from Thern, Inc., PO Box 347, Winona, MN 55987, 507-454-2996. [www.thern.com](http://www.thern.com)

**IMPORTANT:** Please record product information on page 2. This information is required when calling the factory for service.



**ORIGINAL TEXT**

# Owner's Manual

For  
**5BR5 Series Roll Base**  
for Davit Cranes

## Two-Year Limited Warranty

**Please record the following:**

Date Purchased: \_\_\_\_\_

Base Model No.: \_\_\_\_\_

Crane Serial No.: \_\_\_\_\_

**If sold with a crane:**

Crane Model No.: \_\_\_\_\_

Crane Serial No.: \_\_\_\_\_

**This information is required when calling the factory for service.**

Thern, Inc. warrants its products against defects in material or workmanship for two years from the date of purchase by the original using buyer, or if this date cannot be established, the date the product was sold by Thern, Inc. to the dealer. To make a claim under this warranty, contact the factory for an RGA number. The product must be returned, prepaid, directly to Thern, Inc., 5712 Industrial Park Road, Winona, Minnesota 55987. The following information must accompany the product: the RGA number, the date of purchase, the description of the claimed defect, and a complete explanation of the circumstances involved. If the product is found to be defective, it will be repaired or replaced free of charge, and Thern, Inc. will reimburse the shipping cost within the contiguous USA.

This warranty does not cover any damage due to accident, misuse, abuse, or negligence. Any alteration, repair or modification of the product outside the Thern, Inc. factory shall void this warranty. This warranty does not cover any costs for removal of our product, downtime, or any other incidental or consequential costs or damages resulting from the claimed defects. This warranty does not cover brake discs, wire rope or other wear components, as their life is subject to use conditions which vary between applications.

FACTORY AUTHORIZED REPAIR OR REPLACEMENT AS PROVIDED UNDER THIS WARRANTY IS THE EXCLUSIVE REMEDY TO THE CONSUMER. THERN, INC. SHALL NOT BE LIABLE FOR ANY INCIDENTAL OR CONSEQUENTIAL DAMAGES FOR BREACH OF ANY EXPRESS OR IMPLIED WARRANTY ON THIS PRODUCT. EXCEPT TO THE EXTENT PROHIBITED BY APPLICABLE LAW, ANY IMPLIED WARRANTY OF MERCHANTABILITY OR FITNESS FOR A PARTICULAR PURPOSE ON THIS PRODUCT IS LIMITED IN DURATION TO THE DURATION OF THIS WARRANTY.

Some states do not allow the exclusion or limitation of incidental or consequential damages, or allow limitations on how long an implied warranty lasts, so the above limitation or exclusion may not apply to you. This warranty gives you specific legal rights, and you may also have other rights which vary from state to state.

**Note: Thern, Inc. reserves the right to change the design or discontinue the production of any product without prior notice.**

## About This Manual

The Occupational Safety and Health Act of 1970 states that it is the employer's responsibility to provide a workplace free of hazard. To this end, all equipment should be installed, operated, and maintained in compliance with applicable trade, industrial, federal, state, and local regulations. It is the equipment owner's responsibility to obtain copies of these regulations and to determine the suitability of the equipment to its intended use.

This Owner's Manual, and warning labels attached to the equipment, are to serve as guidelines for hazard-free installation, operation, and maintenance. They should not be understood to prepare you for every possible situation.

The information contained in this manual is applicable only to the Thern 5BR5 Roll Base for Davit Cranes. Do not use this manual as a source of information for any other equipment.

**The following symbols are used for emphasis throughout this manual:**

**▲WARNING**

Failure to follow 'WARNING!' instructions may result in equipment damage, property damage, and/or serious personal injury.

**▲CAUTION**

Failure to follow 'CAUTION!' instructions may result in equipment damage, property damage, and/or minor personal injury.

**Important!**

Failure to follow 'important!' instructions may result in poor performance of the equipment.



## Suggestions for Safe Operation

### **⚠WARNING**

#### **DO the following:**

Read and comply with the guidelines set forth in this manual and the Owner's Manual supplied with the respective davit crane purchased. Keep manuals and all labels attached to the product readable and with the equipment at all times. Contact Thern, Inc. for replacements.

Follow all suggestions in the "Suggestions for Safe Operation" section of the Owner's Manual supplied for the respective davit crane designed for use with this roll base.

Always center the load on the hook so it will remain balanced and not tip or rotate to one side. Avoid side pulls.

Keep casters locked when not intending to move crane.

#### **DO NOT do the following:**

Do not lift people or things over people. Do not walk or work under a load or in the line of force of any load.

Do not exceed the load rating of the roll base or any other component in the system. To do so could result in failure of the equipment. Load ratings of the system change with the position of the boom.

Do not install non-standard davit cranes onto the roll base without authorization from Thern, Inc.

Do not lower the load on to the legs of the roll base. Doing so could result in damage to the legs.

Do not use the roll base under load while on an inclined surface. Doing so could result in loss of control and/or tipping of crane system.

Do not adjust boom position while under load.

Do not use in combination with a base extension.

## 1.1 Assembling the Roll Base

1.1.1 STUDY PARTS DRAWINGS to understand how the roll base is assembled. See page 7.

1.1.2 FASTEN THE PEDESTAL BASE to the roll base using the 1/2-inch fasteners provided. Recommended torque is 125 ft-lbs.

NON-STANDARD PRODUCTS that vary from the original design may have different fastening requirements. Contact Thern, Inc. for this information.

## 1.2 Installing the Crane into Roll Base

### Important!

- Inspect the roll base during assembly. This will give you a record of the condition of the roll base with which to compare future inspections.
- Save all packaging that the roll base was shipped in, to re-use if you need to repackage the roll base.
- Contact the factory immediately if any parts are missing or damaged.
- Do not overtighten fasteners, this may damage threads or other parts.

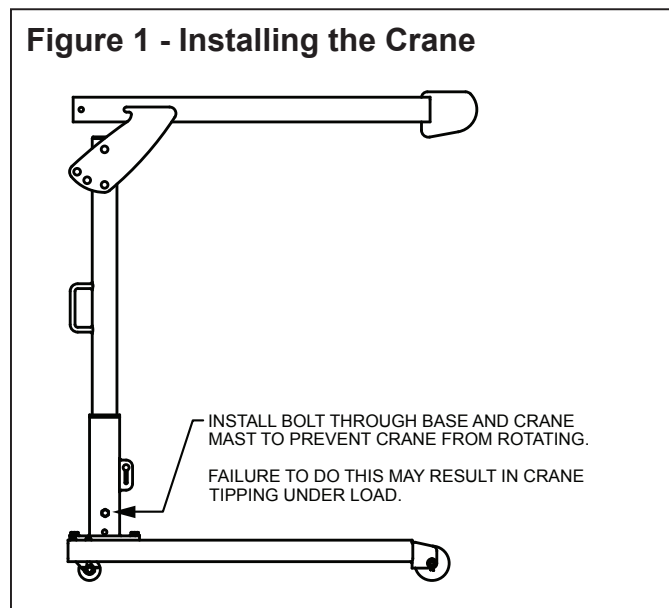
### ⚠WARNING

**Install bolt through base and crane to prevent crane from rotating.**

**Do not use in combination with a base extension.**

- 1.2.1 ASSEMBLE CRANE according to instructions in Owner's Manual provided with the Thern crane purchased for this roll base.
- 1.2.2 AFTER ASSEMBLY install bolt through base and crane mast to prevent crane mast from rotating. **Failure to do this may result in crane tipping under load.** Crane and roll base are designed to have the boom of the crane and the roll base legs parallel to each other. The load is designed to be centered between the front wheels of the roll base. **See Figure 1.**

**Figure 1 - Installing the Crane**

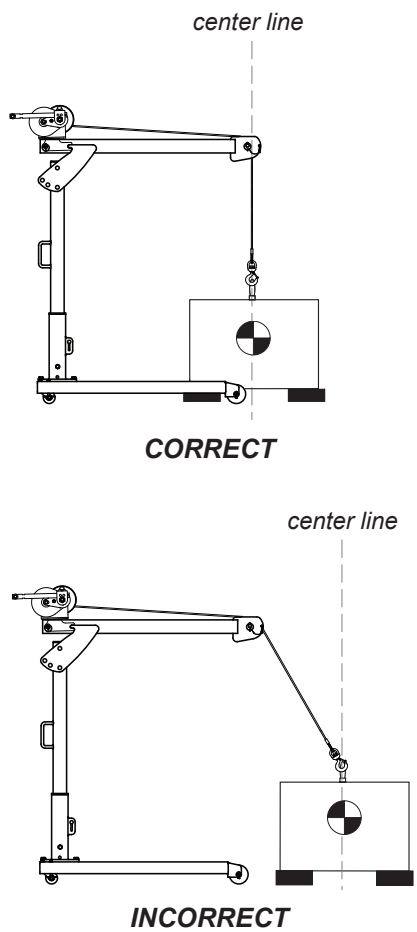


## 2.2 Preparing for Operation

### Important!

- When determining whether the load will exceed the load rating, consider the total force required to move the load.

**Figure 2 – Positioning the Boom**



### ⚠WARNING

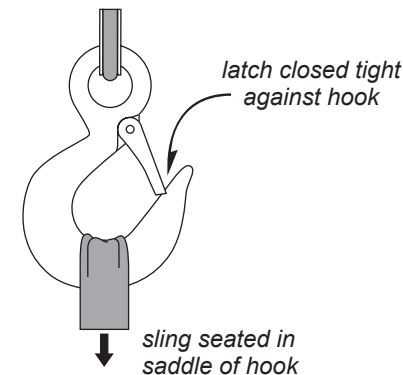
**Do not use the crane in an area defined as hazardous by the National Electric Code, unless use in such an area has been thoroughly approved.**

**Do not use the crane near corrosive chemicals, flammable materials, explosives, or other elements that may damage the crane or injure the operator. Adequately protect the crane and the operator from such elements.**

**Use the crane on a rigid and level surface that will support the crane and its load under all load conditions, including shock loading.**

- 2.2.1 CONSIDER THE OPERATION. Do not begin until you are sure you can perform the entire operation without hazard.
- 2.2.2 INSPECT ALL COMPONENTS of the system.
  - a INSPECT THE CRANE and other equipment according to the Instructions for Frequent Inspection.
  - b OPERATORS must be in good health, alert, thoroughly trained in operating the equipment, and properly clothed (hard hat, safety shoes and safety glasses, no loose clothing).
  - c THE LOAD must be clear of other objects and free to move. Make sure the load will not tip, spin, roll away, or in any way move uncontrollably.
- 2.2.3 KNOW YOUR LOAD and make sure you do not exceed the load rating of the crane or any other equipment in the system.
- 2.2.4 POSITION THE CRANE AND BOOM so the load hook is centered over the load. **Avoid side pulls which could damage the crane or cause the load to tip. See Figure 2.**
  - a LOCK CASTERS on rear of crane to prevent movement during lifting.
- 2.2.5 ADJUSTING THE BOOM ANGLE.
  - a REMOVE ANY LOAD from the crane and disengage hook from load.
  - b REMOVE BOOM CLEVIS PIN and rotate boom to the desired position, then re-insert pin. The boom clevis pin must only be removed when adjustments are being made. It must always be re-installed immediately.

**Figure 3 – Attaching Load**



## 2.3 Attaching the Load

- 2.3.1 CLEAR OBJECTS from the path you will travel, so you can move freely and observe the load at all times during the operation.
- 2.3.2 ATTACH THE LOAD using a nylon sling, or other approved lifting device. Follow the recommendations of the sling manufacturer.
  - a SEAT THE SLING in the saddle of the hook with the hook latch completely closed. See Figure 3.
  - b CENTER THE LOAD on the hook so it will remain balanced and not tip or rotate to one side.

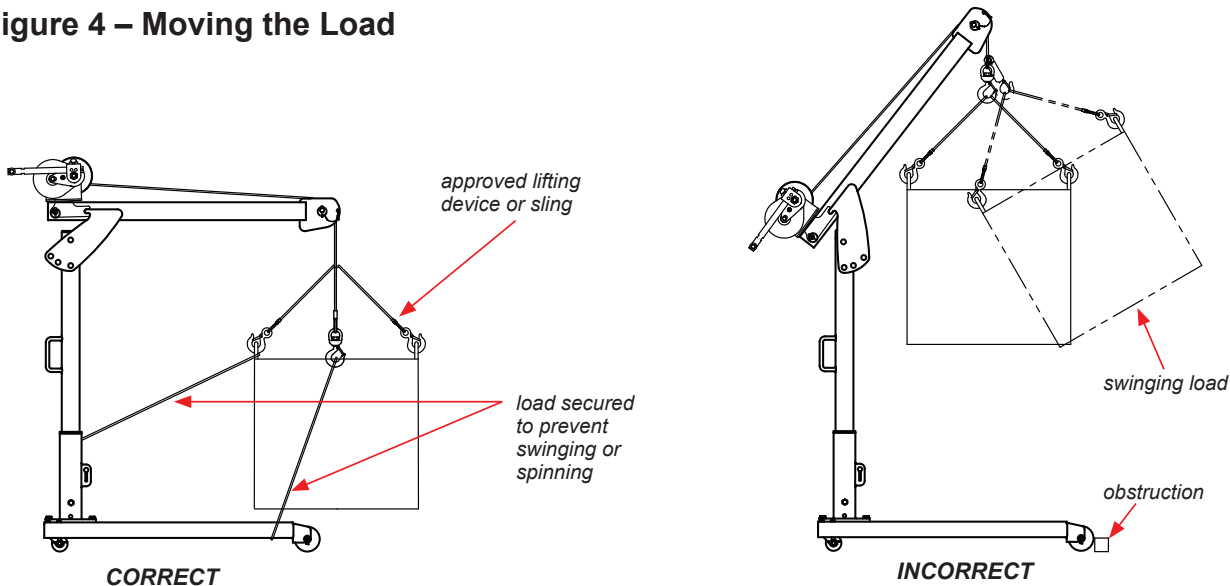
## 2.4 Moving the Load

**Important!**

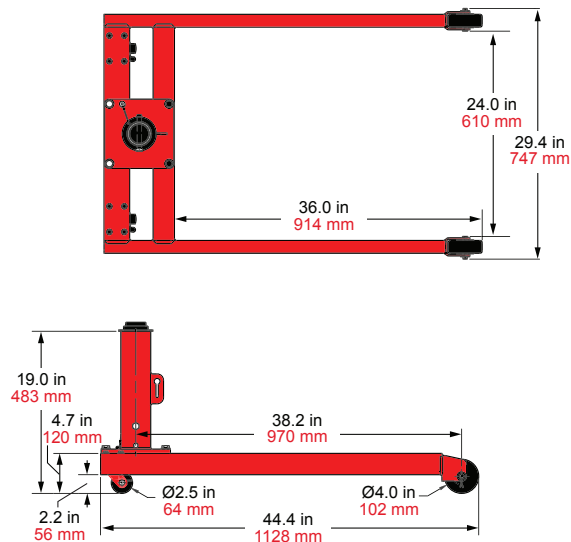
- Obey a stop signal from anyone.
- Appoint a supervisor if more than one person is involved in the operation. This will reduce confusion and increase safety.
- When lifting or moving the load, use a tag line to keep the load from swinging or twisting, while keeping yourself away from the load.

- 2.4.1 LIFT THE LOAD slowly and smoothly. Make sure the load is balanced and securely attached before lifting. See Figure 4.
- 2.4.2 UNLOCK CASTER at rear of crane.
- 2.4.3 PULL THE CRANE BACKWARD to move the load, with the load close to the floor and tied to the mast and legs to prevent swinging. See Figure 4.
- 2.4.4 MOVE THE LOAD slowly and smoothly, especially when making turns.
- 2.4.5 MOVE THE CRANE BY HAND ONLY. **Do not use powered devices to push or pull the crane.**

**Figure 4 – Moving the Load**



**5BR5 Series**

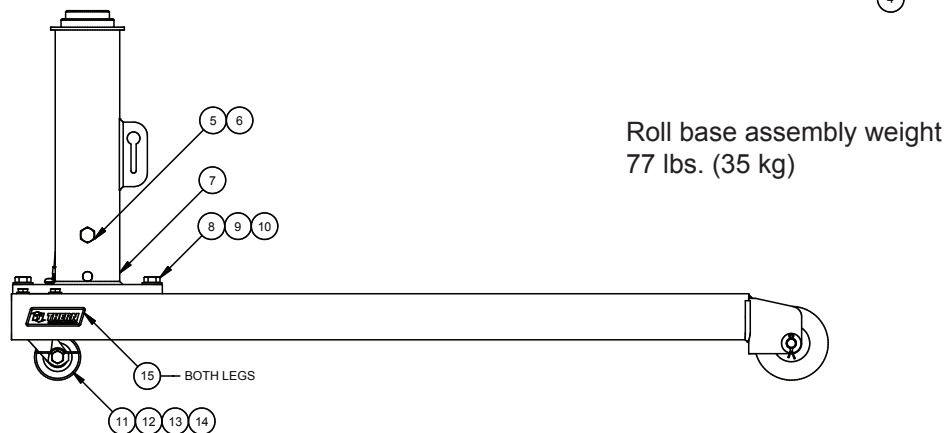
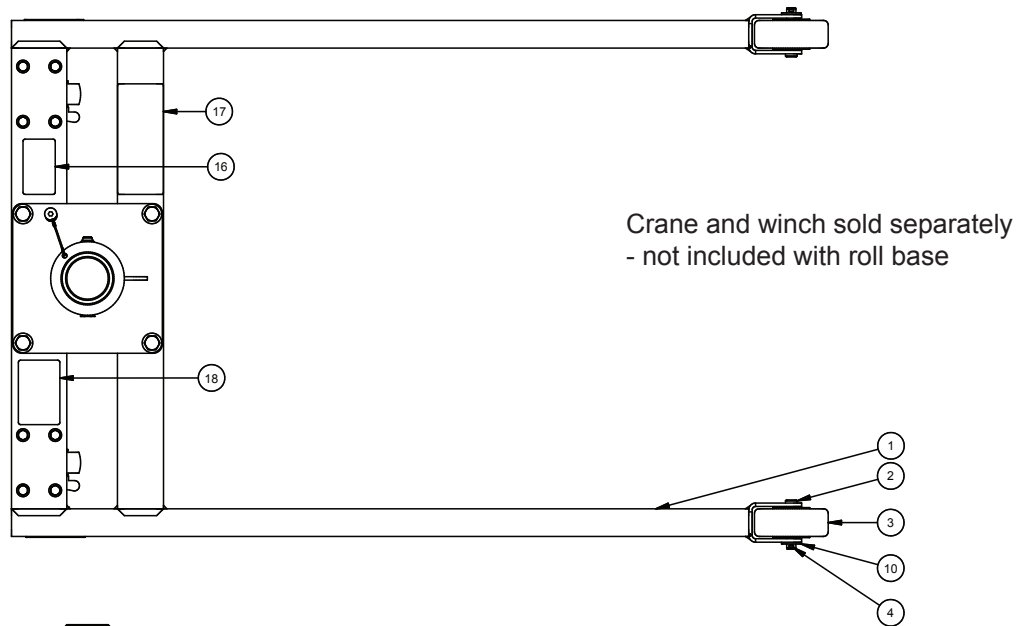


Load Ratings for 5BR5 Roll Base <sup>1, 2</sup> used with 5PF5 crane only	
Crane Load Ratings	
Boom Position A	<b>SEE LOAD RATINGS ON CRANE</b>
Boom Position B	
Boom Position C	

<sup>1</sup> Performance characteristics are for standard products referred to in this manual. Non-standard products may vary from the original design. Contact Thern, Inc. for this information.

<sup>2</sup> Do not use in combination with a base extension.

5BR5 Roll Base			
item	description	part number	qty.
1	WELDMENT BASE 5BR5	C5584	1
2	PIN CLEVIS .500 X 2 .266 EFF LENGTHS TL	A2024	2
3	WHEEL 4X1.5 TEXITE 600 LB .500 BORE	A2799	2
4	PIN COTTER .125X 1.000 STL ZNPL	A3179	2
5	CAPSCR HEXHD .500-13NCX 4.000 ZNPL GR5	A3525	1
6	NUT HEX JAM NYLK .500-13NC ZNPL GR2	A3176	1
7	BASE PEDESTAL MOUNT 5PA5	5BP5	1
8	CAPSCR HEXHD .500-13NCX 3.000 ZNPL GR5	A3481	4
9	NUT HEX NYLK .500-13NC ZNPL GR5	A2897	4
10	WASHER FLT SAE .500 X 1.062 X .095 ZNPL	A2932	10
11	CASTER SWVL FTBRK 2.5 X 1.13 POLY 200 LBS	A13827	2
12	CAPSCR HEXHD .312-18NCX 2.000 ZNPL GR5	A5042	8
13	NUT HEX JAM NYLK .312-18NC ZNPL GR2	A3249	8
14	WASHER FLT SAE .312 X .688 X .065 ZNPL	A2924	8
15	LABEL THERN 1.00 X 3.20	A6889	2
16	LABEL WARNING INSTALL BOLT THROUGH BASE	A8487	1
17	LABEL WARNING 5BR SERIES	B6392	1
18	LABEL LOAD RATING 5BR5 FOR 5PF5	B7407	1





**Thern, Incorporated**  
5712 Industrial Park Road  
Winona, MN 55987

PH 507-454-2996  
FAX 507-454-5282

EMAIL: [info@thern.com](mailto:info@thern.com)  
[www.thern.com](http://www.thern.com)

**Thern Europe**  
Bedrijvenpark Twente 454e  
7602 KM Almelo  
Netherlands

PH +31-546-898-380

EMAIL: [europe@thern.com](mailto:europe@thern.com)