



PORTABLE ELECTRIC CAPSTAN WINCH

LIBERTY[®] SERIES



LIBERTY® SERIES

PORTABLE CAPSTAN WINCH W/ INTEGRAL SWIVEL BASE

Quiet Performance and Long Life at Any Angle

The Thern Liberty® Series capstan winch delivers portable strength and performance. More importantly, quiet operation enhances team communication for increased productivity. A powder-coat finish and corrosion-resistant components ensure dependable operation for many years. The swivel base allows operation at almost any angle—especially when paired with the optional hitch mount. Position your truck once, rotate the winch (15° increments) to align the load, and lock it down. It's perfect for energy sector tasks in remote locations, including pole setting, stringing lines, maintaining wind turbines, and erecting cell towers. Now available in 230V option.

Engineered Drum Design

- Keeps load line from moving during operation, enhancing productivity
- Nickel-plated steel construction for optimum performance and durability

Integral Rope Keep

- Spring-loaded rope keep helps prevent accidental removal of hand line from drum
- Corrosion-resistant components improve durability
- Rope keep bar serves as a carrying handle

Premium Motor with Handle

- Premium motor offers quiet operation (80 dBA)* enhancing clear communication between operators
- Durable powder-coat finish resists contamination for increased reliability
- Maintenance-free, permanently lubricated, planetary gearbox for smooth operation and long life
- UL-Recognized motor

Foot Switch Control

- Foot switch-controlled operation delivers productivity and safety
- IP65, sealed foot switch allows outdoor use
- Painted, cast-iron construction and anti-skid feet promote durability and stability for outdoor applications
- 10-foot cord and twist-lock plug design avoids untimely power disruption, increasing productivity

Product Shown:
3CP15-AFS

Durable Swivel Frame with Integral Lock Option Available

- Adjustable rotation in 15° increments to align loads and lock securely with swivel stop
- Lightweight, engineered design and steel construction provides portability
- Powder-coated steel finish resists wear and promotes durability
- Half-inch, Grade 5 mounting hardware enhances security
- Optional heavy-duty fixed mount frame

Integral Rope Lock

- Rope lock prevents unintentional lowering of load
- Nickel-plated and anodized components ensure durability and smooth handling of load
- Adjustable rope lock accommodates various line exit angles and operator heights



PERFORMANCE

IMPERIAL									
Series	Maximum Capacity	Rope Diameter Range**	Maximum Line Speed Range***	Rated Current Draw	Input Voltage	Ship Weight	Ambient Operating Temperature Range	Duty Cycle	Mount Type
3CP1M-AFS	1,000 lbs	½ - ¾ in	35-50 fpm	15 amp	115V/1 Phase /50-60Hz	63 lbs	-4 °F – +105 °F	20 mins full load	Fixed
3CP1S-AFS	1,000 lbs	½ - ¾ in	35-50 fpm	15 amp	115V/1 Phase /50-60Hz	78 lbs	-4 °F – +105 °F	20 mins full load	Swivel
3CP1M-BFS	1,000 lbs	½ - ¾ in	30-50 fpm	10 amp	230V/1 Phase /50-60Hz	67 lbs	-4 °F – +104 °F	20 mins full load	Fixed
3CP1S-BFS	1,000 lbs	½ - ¾ in	30-50 fpm	10 amp	230V/1 Phase /50-60Hz	82 lbs	-4 °F – +104 °F	20 mins full load	Swivel
3CP1H-BFS	1,000 lbs	½ - ¾ in	30-50 fpm	10 amp	230V/1 Phase /50-60Hz	80 lbs	-4 °F – +104 °F	20 mins full load	Hitch Ball
3CP2S-AFS	2,000 lbs	½ - ¾ in	12-20 fpm	15 amp	115V/1 Phase /50-60Hz	93 lbs	-4 °F – +105 °F	20 mins full load	Swivel
3CP2M-AFS	2,000 lbs	½ - ¾ in	12-20 fpm	15 amp	115V/1 Phase /50-60Hz	71 lbs	-4 °F – +105 °F	20 mins full load	Fixed

METRIC									
Series	Maximum Capacity	Rope Diameter Range**	Maximum Line Speed Range***	Rated Current Draw	Input Voltage	Ship Weight	Ambient Operating Temperature Range	Duty Cycle	Mount Type
3CP1M-AFS	450 kg	13-19 mm	11-15 mpm	15 amp	115V/1 Phase /50-60Hz	29 kg	-20°C – +40°C	20 mins full load	Fixed
3CP1S-AFS	450 kg	13-19 mm	11-15 mpm	15 amp	115V/1 Phase /50-60Hz	36 kg	-20°C – +40°C	20 mins full load	Swivel
3CP1M-BFS	450 kg	13-19 mm	9-15 mpm	10 amp	230V/1 Phase /50-60Hz	31 kg	-20°C – +40°C	20 mins full load	Fixed
3CP1S-BFS	450 kg	13-19 mm	9-15 mpm	10 amp	230V/1 Phase /50-60Hz	37 kg	-20°C – +40°C	20 mins full load	Swivel
3CP1H-BFS	450 kg	13-19 mm	9-15 mpm	10 amp	230V/1 Phase /50-60Hz	36 kg	-20°C – +40°C	20 mins full load	Hitch Ball
3CP2S-AFS	900 kg	13-19 mm	3.5-6 mpm	15 amp	115V/1 Phase /50-60Hz	43 kg	-20°C – +40°C	20 mins full load	Swivel
3CP2M-AFS	900 kg	13-19 mm	3.5-6 mpm	15 amp	115V/1 Phase /50-60Hz	32 kg	-20°C – +40°C	20 mins full load	Fixed

** Synthetic rope only. Available for purchase through Thern.

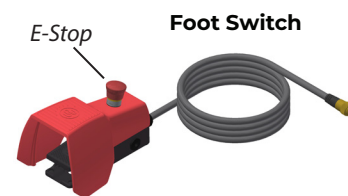
*** Load dependent.

Motor Safety Features

- Over-temperature light indicates high temperatures caused by over current or environmental factors
- Integrated breaker automatically provides overload protection to extend life of equipment
- Quiet, vented, fan cooled permanent magnet motor
- Momentary single speed, single direction operation via foot switch on 10 foot (3 meter) cord with secure connection to motor

230V Additional Features

- Equipped with 1 foot (0.3 meter) power cord with 2-prong Type F Schuko plug
- Foot switch with emergency stop



Refer to technical pages for detailed performance information.

OPTIONS & ACCESSORIES

LIBERTY[®] SERIES

PORTABLE CAPSTAN WINCHES

Liberty Capstan Hitch Mounts - sold separately



Product Shown:
3CP1S-HM

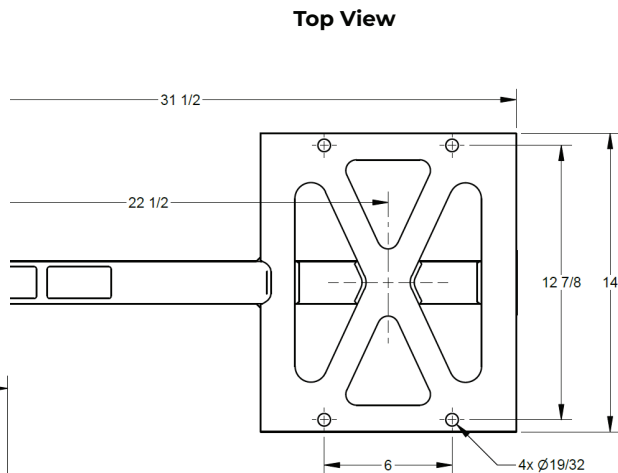
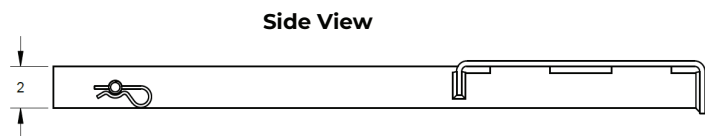
Model 3CP1S-HM

- Compatible with 3CP1S 1,000 pound capacity Liberty Capstan winch only
- Heavy-duty (ASTM-grade steel) construction
- For use on vehicles with 2-inch hitch receiver
- Hitch mount includes standard receiver clevis and cotter pins
- Red powder-coat finish
- Weighs approximately 26 pounds for easy handling

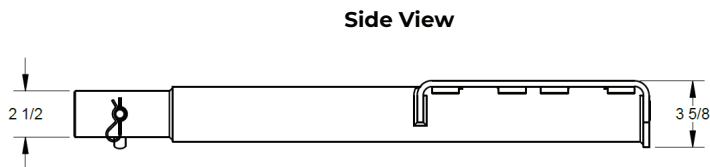
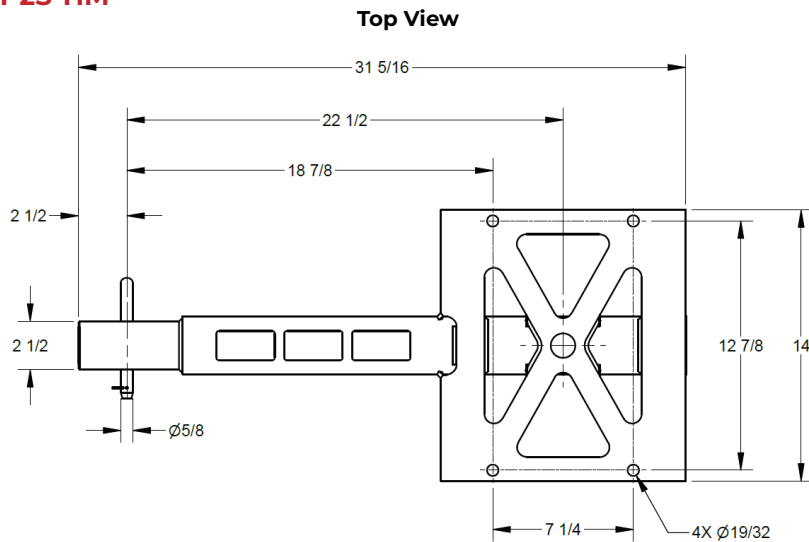
Model 3CP2S-HM

- Compatible with both 3CP1S 1,000 pound capacity and 3CP2S 2,000 pound capacity Liberty Capstan winches
- Heavy-duty (ASTM-grade steel) construction
- For use on vehicles with 2 1/2-inch hitch receiver
- Hitch includes standard receiver clevis and cotter pins
- Red powder-coat finish
- Weighs approximately 45 pounds for easy handling

Model 3CP1S-HM*

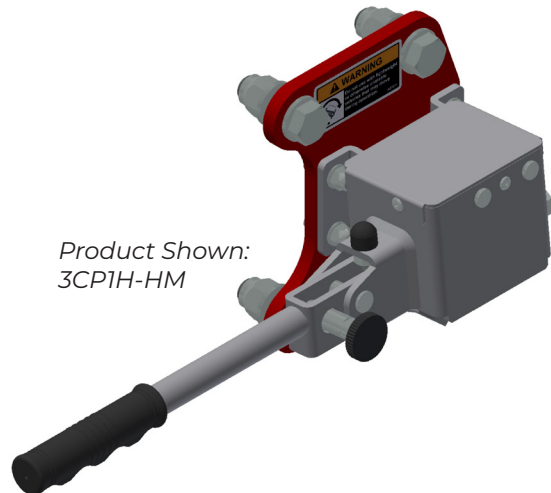


Model 3CP2S-HM*



* Dimensions given in inches.

230V Liberty Capstan Hitch Mount - sold separately

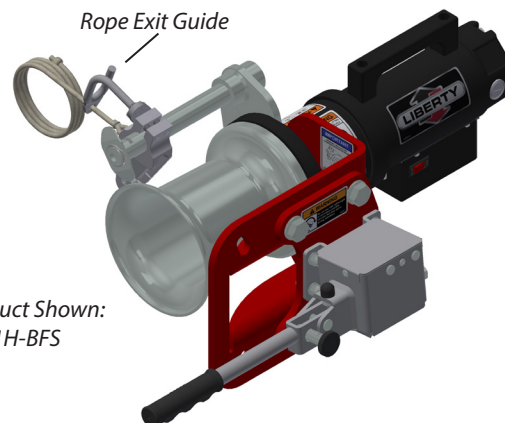


Product Shown:
3CP1H-HM

Model 3CP1H-HM

- Hitch Mount Kit for 1,000 pound (450 kg) Capstan Winch
- Quick-Connector allows convenient attachment and removal without tools
- For use on vehicles with a 2-inch (50mm) hitch ball
- Powder-coat finish
- Product weight is approximately 13 pounds (6 kg)

Hitch Mount With Winch



Product Shown:
3CP1H-BFS

Model 3CP-RG Rope Guide



- Rope Exit Guide for Capstan Winch
- Helps maintain proper fleet angle for various operator positions
- Includes attachment hardware
- Polished stainless-steel finish
- Product weight is approximately 0.5 pounds (0.2 kg)



NOTICE: These products are not for lifting people or things over people.

OPTIONS & ACCESSORIES

LIBERTY® SERIES

PORTABLE CAPSTAN WINCHES

Liberty Capstan Pole Mount - sold separately

Model 3CP1M-PM

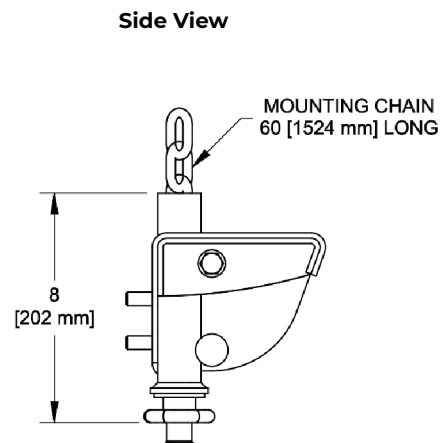
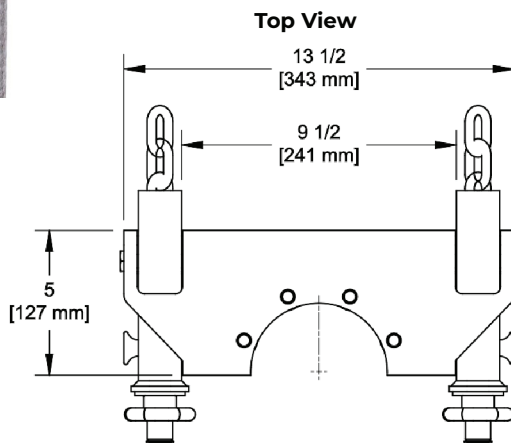
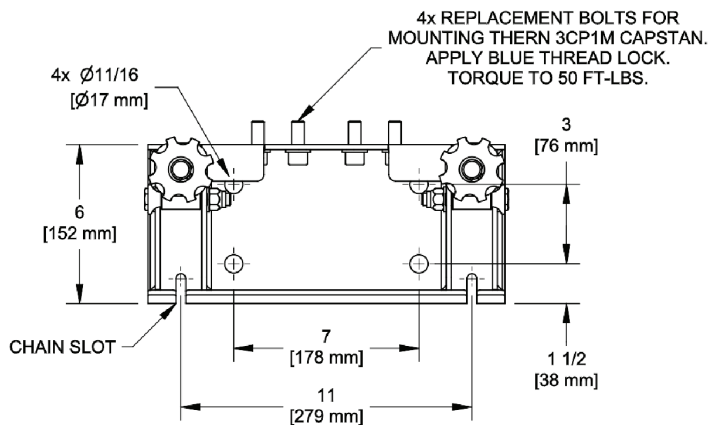
Adjustable Pole / I-Beam Mounting Frame for Liberty Capstan 1,000 pound Winch

This versatile mounting frame provides a secure and adaptable solution for installing the Liberty Capstan Winch on utility poles or I-beams.

The steel frame has a durable powder coat finish and the unit features two lengths of durable Grade 43 galvanized chain, it easily wraps around poles of varying diameters, offering a strong and corrosion-resistant hold.

The adjustable design allows use with a wide range of I-beams, making it a dependable choice for various job site configurations.

Engineered for flexibility and reliability, this mounting frame simplifies setup and enhances stability in the field.



OPTIONS & ACCESSORIES

LIBERTY® SERIES

PORTABLE CAPSTAN WINCHES

Liberty Capstan Series Travel Case - sold separately

Model 3CP-CASE

Liberty Capstan Series Travel Case is the ultimate solution for protecting and transporting your capstan winch.

Crafted from ultra high-strength polypropylene copolymer resin, it's built to withstand UV, solvents, corrosion, and impact while maintaining a watertight seal (MIL-STD-810H compliant).

With custom foam inserts to securely fit 1,000 and 2,000 pound winch models, in both fixed and swivel configurations, plus in-line skate wheels and a telescoping handle, it offers unmatched durability and ease of transport.

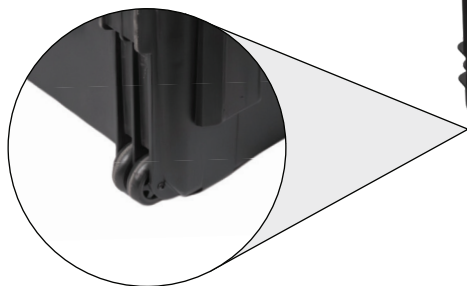
Safeguard your investment with industrial-strength construction designed for demanding environments.



Custom designed foam insert



Industrial strength injection molded pull handle



In-line skate style wheels

OPTIONS & ACCESSORIES

LIBERTY® SERIES

PORTABLE CAPSTAN WINCHES



Antenna Pipe Rooster Head - sold separately

Model 3CP-RH

The Thern Rooster Head is a rugged, easy-to-install lifting solution designed for telecom professionals who climb and maintain cell towers.

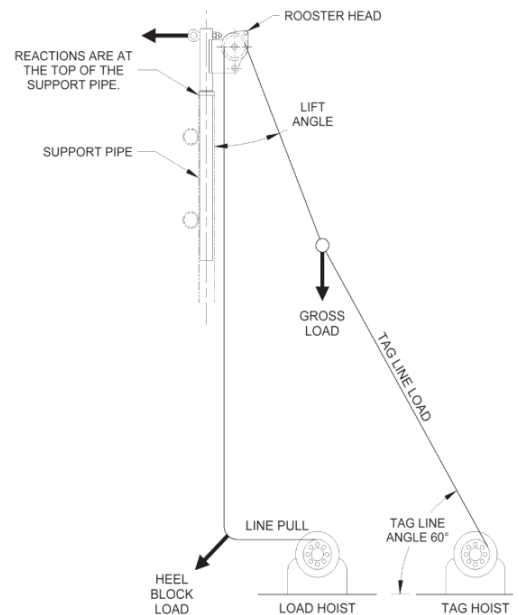
Built with welded structural steel and a corrosion-resistant galvanized finish, it handles loads up to 500 lbs and accommodates 1/2" to 5/8" synthetic lines.

Featuring a 4" Nylatron sheave with a steel roller bearing that requires no tools for removal, it streamlines rigging and includes a secondary attachment point for two-part line configurations.

Compliant with ANSI/TIA 322 and ANSI/ASSP A10.48 standards, this accessory is built for safety and reliability in demanding environments.

ROOSTER HEAD WITH STRAIGHT TAG

MAX LIFT ANGLE	TAG LINE ANGLE	MAX GROSS LOAD	LINE PULL	TAG LINE LOAD	HEEL BLOCK LOAD	SUPPORT PIPE LOADS		
						VERTICAL	HORIZONTAL	MOMENT
(DEG)	(DEG)	LBS	LBS	LBS	LBS	LBS	LBS	FT-LBS
0.0	60	500	500	0	707	1000	0	355
2.5	60	450	487	43	689	974	21	358
5.0	60	400	473	82	669	945	41	359
7.5	60	350	457	119	647	911	60	358
10.0	60	305	446	155	631	885	77	359
12.5	60	260	432	187	611	854	94	357
15.0	60	220	425	220	601	836	110	360
17.5	60	180	416	250	588	812	125	361
20.0	60	140	403	276	570	782	138	358



*Loads are based on a maximum Tag Line Angle of 60 degrees.
 *Use a rigging calculator to determine loads for other conditions.

See owner's manual for additional information and load ratings.



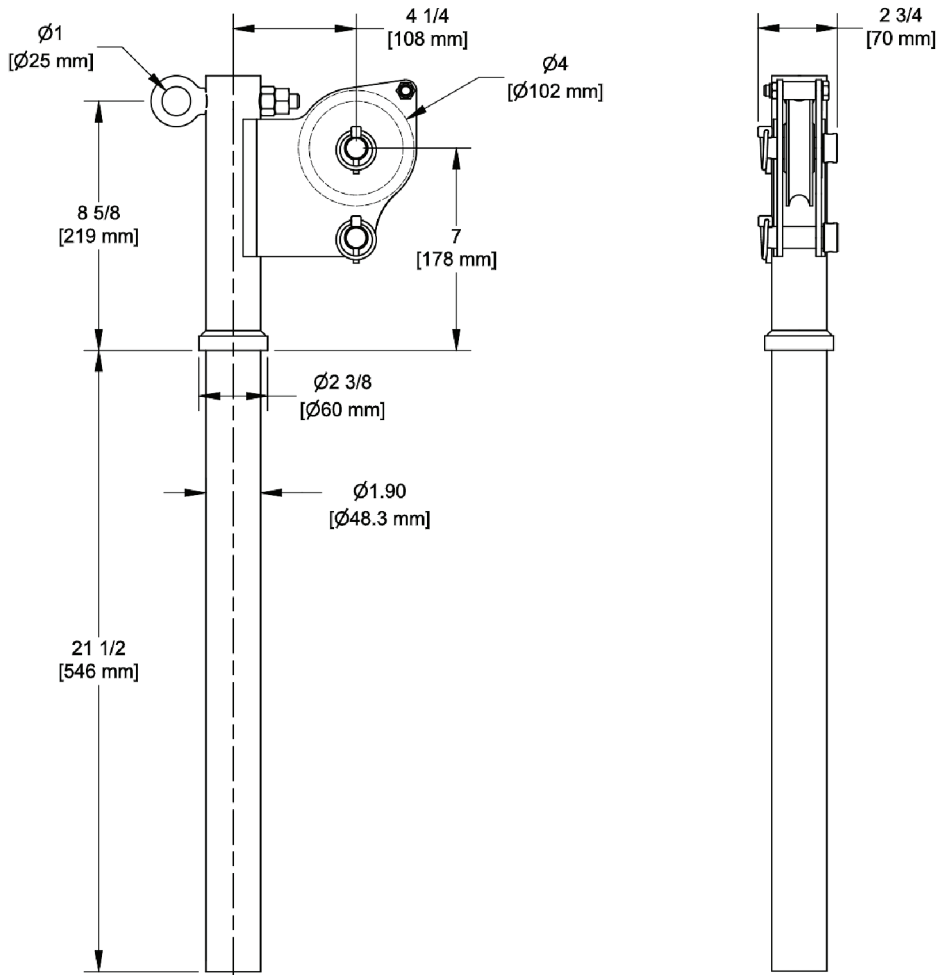
NOTICE: These products are not for lifting people or things over people.

Refer to technical pages for detailed performance information.

LIBERTY® SERIES

PORTABLE CAPSTAN WINCHES

Model 3CP-RH



Synthetic Rope Assemblies - sold separately

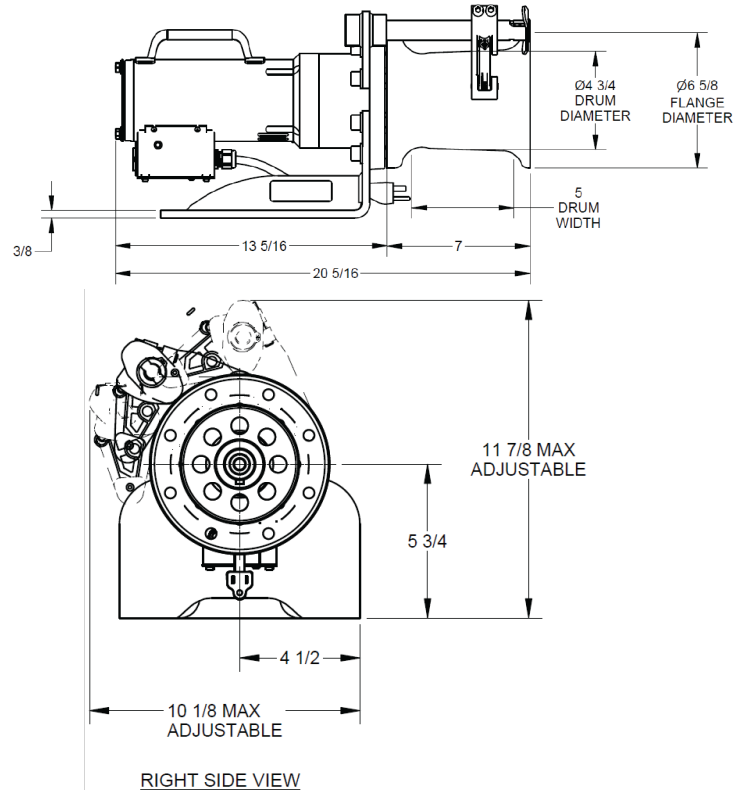
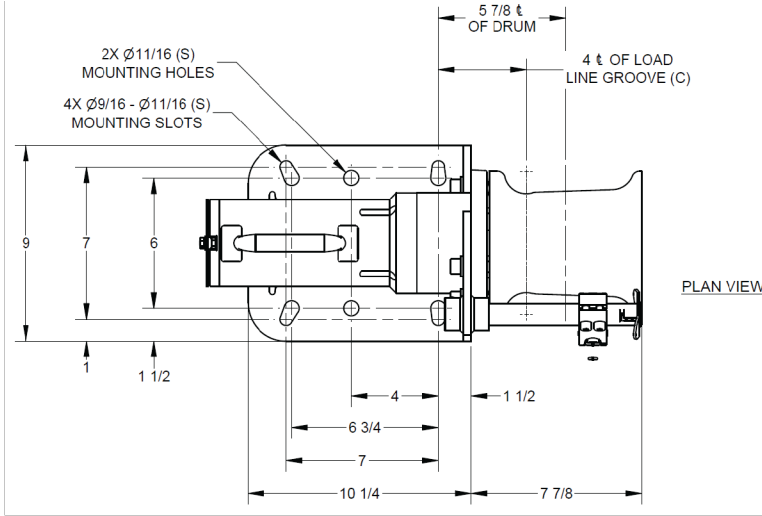
Samson Synthetic rope assemblies are for use with Thern Liberty Capstan series winches only. For additional rope assemblies, contact the factory.

Rope Diameter (in)	Rope Diameter (mm)	Rope Lengths Available
1/2	12.7	300 ft. (91.4 m.), 600 ft. (182.9 m.), 1200 ft. (365.8 m.)
5/8	15.9	300 ft. (91.4 m.), 600 ft. (182.9 m.), 1200 ft. (365.8 m.)
3/4	19.1	300 ft. (91.4 m.), 600 ft. (182.9 m.), 1200 ft. (365.8 m.)

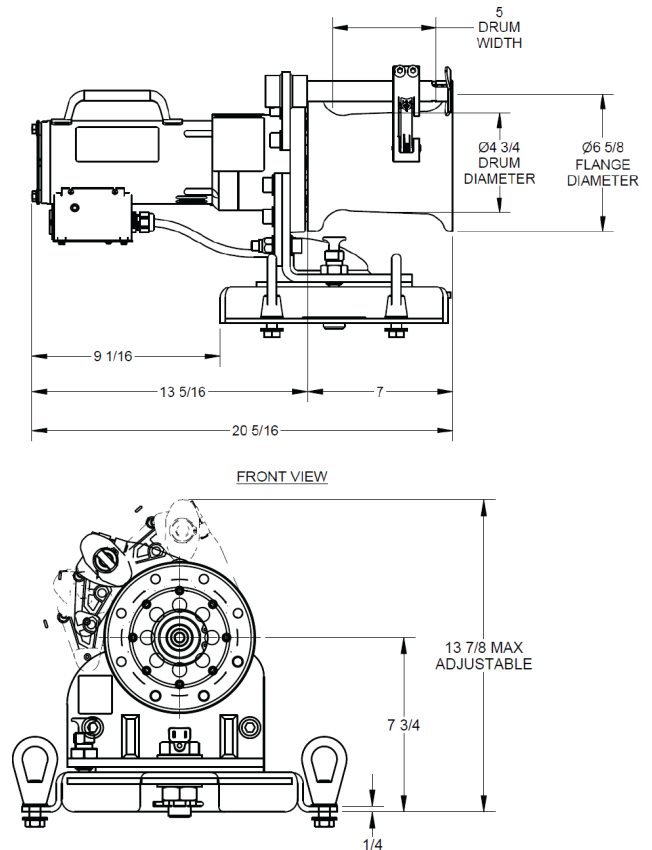
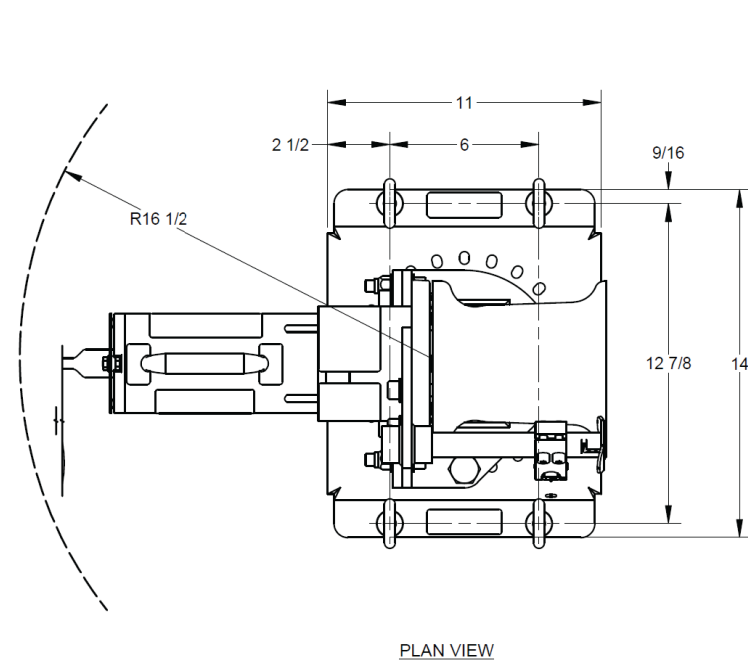
LIBERTY® SERIES

PORTABLE CAPSTAN WINCHES

Model 3CP1M-AFS*



Model 3CP1S-AFS*



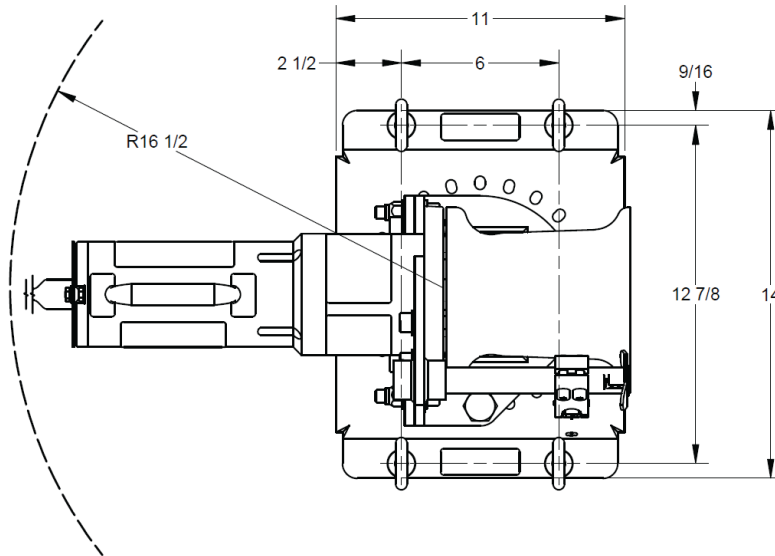
* Dimensions given in inches.

TECHNICAL DRAWINGS & SPECIFICATIONS

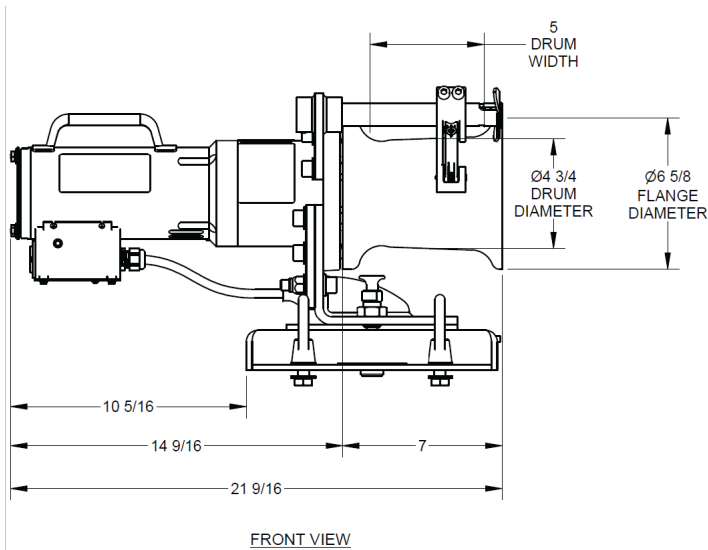
LIBERTY® SERIES

PORTABLE CAPSTAN WINCHES

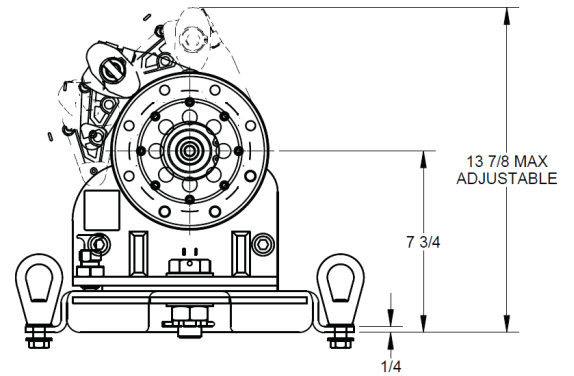
Model 3CP2S-AFS*



PLAN VIEW



FRONT VIEW



RIGHT SIDE VIEW

* Dimensions given in inches.



LEAVE THE HEAVY LIFTING TO US

THERN, INCORPORATED

World Headquarters & Manufacturing
5712 Industrial Park Road Winona, MN USA
Toll Free: 1-800-843-7648
Phone: 1-507-454-2996
www.thern.com

THERN EUROPE

EU Headquarters
Siriusdreef 17-27, 2132 WT
Hoofddorp, The Netherlands
Phone: +31-546-898-380
europe@thern.eu
www.thern.com



MADE IN THE USA