











### PORTABLE CRANES

Capacity 0 to  
Max Lift  
Series  
Model

|                                                                                   |                                                                                   |                                                                                   |                                                                                    |                                                                                     |                                                                                     |
|-----------------------------------------------------------------------------------|-----------------------------------------------------------------------------------|-----------------------------------------------------------------------------------|------------------------------------------------------------------------------------|-------------------------------------------------------------------------------------|-------------------------------------------------------------------------------------|
|  |  |  |  |  |  |
| 850 lbs (385 kg)<br>up to 236 ft (71.9 m)<br>First Mate®<br>5PF5                  | 500 lbs (226 kg)<br>up to 235 ft (71.6 m)<br>Ensign®<br>SPA5                      | 1,200 lbs (544 kg)<br>up to 281 ft (85.6 m)<br>Ensign®<br>SPA10                   | 650 lbs (300 kg)<br>up to 287 ft (87.4 m)<br>Commander®<br>5PT5                    | 1,200 lbs (544 kg)<br>up to 287 ft (87.4 m)<br>Commander®<br>5PT10                  | 2,000 lbs (907 kg)<br>up to 435 ft (132.5 m)<br>Commander®<br>5PT20                 |

### STATIONARY CRANES

Capacity 0 to  
Max Lift  
Series  
Model

|                                                                                   |                                                                                   |                                                                                    |                                                                                     |
|-----------------------------------------------------------------------------------|-----------------------------------------------------------------------------------|------------------------------------------------------------------------------------|-------------------------------------------------------------------------------------|
|  |  |  |  |
| 2,000 lbs (907 kg)<br>up to 278 ft (84.7 m)<br>Captain®<br>5FT20                  | 2,800 lbs (1,270 kg)<br>up to 278 ft (84.7 m)<br>Captain®<br>5FT25                | 5,500 lbs (2,500 kg)<br>up to 174 ft (53.0 m)<br>Captain®<br>5FT40                 | 3,000 lbs (1,360 kg)<br>up to 224 ft (68.2 m)<br>Admiral®<br>5PT30                  |

### HEAVY-DUTY ELECTRIC WINCHES

#### WS Series

|                 |                  |       |    |    |     |                        |
|-----------------|------------------|-------|----|----|-----|------------------------|
| Capacity Range  | 600 lbs (272 kg) | Up to |    |    |     | 26,000 lbs (11,793 kg) |
| Line Speeds     | 1 fpm (.3 mpm)   |       |    |    |     | 100 + fpm (30 + mpm)   |
| Travel Distance | 1 ft (.3 m)      |       |    |    |     | 400 + ft (122 + m)     |
| H.P.            | 1                |       |    |    |     | 30 +                   |
| 4WS Models      | 1M               | 3M    | 6M | 9M | 16M | 26M                    |

#### HS Series

|                 |                    |       |     |     |     |                        |
|-----------------|--------------------|-------|-----|-----|-----|------------------------|
| Capacity Range  | 1,100 lbs (498 kg) | Up to |     |     |     | 56,000 lbs (25,401 kg) |
| Line Speeds     | 1 fpm (.3 mpm)     |       |     |     |     | 100 + fpm (30 + mpm)   |
| Travel Distance | 1 ft (.3 m)        |       |     |     |     | 1,500 + ft (457 + m)   |
| H.P.            | 1                  |       |     |     |     | 60                     |
| 4HS Models      | 6M                 | 11M   | 16M | 26M | 40M | 56M                    |

#### HWF Series

|                 |                    |       |    |    |                      |
|-----------------|--------------------|-------|----|----|----------------------|
| Capacity Range  | 1,000 lbs (453 kg) | Up to |    |    | 8,000 lbs (3,628 kg) |
| Line Speeds     | 1 fpm (.3 mpm)     |       |    |    | 70 + fpm (21 + mpm)  |
| Travel Distance | 1 ft (.3 m)        |       |    |    | 2,000 + ft (610 + m) |
| H.P.            | 1                  |       |    |    | 15 +                 |
| 4HWF Models     | 1M                 | 2M    | 4M | 6M | 8M                   |

#### HPF Series

|                 |                    |       |    |    |    |     |                         |     |
|-----------------|--------------------|-------|----|----|----|-----|-------------------------|-----|
| Capacity Range  | 1,000 lbs (453 kg) | Up to |    |    |    |     | 25,000 lbs (11,339 kg)  |     |
| Line Speeds     | 1 fpm (.3 mpm)     |       |    |    |    |     | 600 + fpm (183 + mpm)   |     |
| Travel Distance | 1 ft (.3 m)        |       |    |    |    |     | 10,000 + ft (3,048 + m) |     |
| H.P.            | 1                  |       |    |    |    |     | 75 +                    |     |
| 4HPF Models     | 2M                 | 3M    | 5M | 7M | 9M | 15M | 20M                     | 25M |

#### HBP Series

|                 |                        |       |  |                         |
|-----------------|------------------------|-------|--|-------------------------|
| Capacity Range  | 35,000 lbs (15,875 kg) | Up to |  | 100,000 lbs (45,359 kg) |
| Line Speeds     | 1 fpm (.3 mpm)         |       |  | 100 + fpm (30 + mpm)    |
| Travel Distance | 1 ft (.3 m)            |       |  | 12,000 + ft (3,658 + m) |
| H.P.            | 2                      |       |  | 75 +                    |
| 4HBP Models     | 35M                    |       |  | 100M                    |

## AIR WINCHES

### Big Red Series

|               |                      |                      |                      |                       |                        |                        |
|---------------|----------------------|----------------------|----------------------|-----------------------|------------------------|------------------------|
| Capacity 0 to | 3,600 lbs (1,633 kg) | 7,200 lbs (3,265 kg) | 7,200 lbs (3,265 kg) | 18,000 lbs (8,164 kg) | 23,600 lbs (10,704 kg) | 37,000 lbs (16,782 kg) |
| Line Speed    | 94 fpm (29 mpm)      | 46 fpm (14 mpm)      | 114 fpm (34 mpm)     | 47 fpm (14 mpm)       | 29 fpm (8.8 mpm)       | 34 fpm (10.4 mpm)      |
| H.P.          | 7.1                  | 7.1                  | 18.3                 | 17.8                  | 14.4                   | 27                     |
| Model         | TA2H                 | TA2                  | TA2.5                | TA5                   | TA7                    | TA10                   |



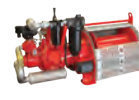
### Mini Series

|               |                    |                      |
|---------------|--------------------|----------------------|
| Capacity 0 to | 1,400 lbs (635 kg) | 2,700 lbs (1,224 kg) |
| Line Speed    | 52 fpm (16 mpm)    | 67 fpm (20 mpm)      |
| H.P.          | 1.35               | 3.5                  |
| Model         | MTA 1000           | MTA 2000             |



### C Series

|               |                      |                       |                       |
|---------------|----------------------|-----------------------|-----------------------|
| Capacity 0 to | 5,500 lbs (2,494 kg) | 11,000 lbs (4,989 kg) | 22,000 lbs (9,979 kg) |
| Line Speed    | 127 fpm (39 mpm)     | 55 fpm (17 mpm)       | 31 fpm (9 mpm)        |
| H.P.          | TAC                  | TAC                   | TAC                   |
| Model         | TA2.5C               | TA5C                  | TA10C                 |



## PORTABLE ELECTRIC WINCHES

|              |                       |                    |                    |                    |                      |
|--------------|-----------------------|--------------------|--------------------|--------------------|----------------------|
| Max Capacity | 1,000 lbs (453 kg)    | 2,000 lbs (907 kg) | 1,500 lbs (680 kg) | 2,000 lbs (907 kg) | 4,600 lbs (2,086 kg) |
| Line Speed   | 35-50 fpm (11-15 mpm) | 19 fpm (5.8 mpm)   | 97 fpm (29.6 mpm)  | 22 fpm (6.7 mpm)   | 24 fpm (7.3 mpm)     |
| H.P.         | ---                   | 1.3                | 3                  | 1.5                | 3                    |
| Series       | Liberty®              | Atlas              | Atlas              | Dura Hoist         | Atlas II             |
| Model        | 3CP15-AFS             | 4WP2T8             | 4WP2D8             | 4771               | 3WG4                 |



## HAND WINCHES

### Spur Gear

|                |                    |                    |                      |                       |
|----------------|--------------------|--------------------|----------------------|-----------------------|
| Capacity 0 to  | 1,000 lbs (453 kg) | 2,000 lbs (907 kg) | 4,000 lbs (1,814 kg) | 10,000 lbs (4,535 kg) |
| Gear Ratio     | 3:1                | 15:1               | 20:1                 | 25:1                  |
| Approx. Weight | 17 lbs (7.7 kg)    | 28 lbs (12.7 kg)   | 91 lbs (41.3 kg)     | 173 lbs (78.5 kg)     |
| Model          | M4022PB            | M4312PB            | M452B                | M492B                 |



### Worm Gear

|                |                    |                    |                      |
|----------------|--------------------|--------------------|----------------------|
| Capacity 0 to  | 1,000 lbs (453 kg) | 2,000 lbs (907 kg) | 4,600 lbs (2,086 kg) |
| Gear Ratio     | 15:1               | 32:1               | 31:1                 |
| Approx. Weight | 21 lbs (9.5 kg)    | 41 lbs (18.6 kg)   | 123 lbs (55.8 kg)    |
| Model          | 4622PB             | 4WM2               | 2W40                 |



## Worldwide Distribution



Thern, Incorporated  
 Corporate Headquarters & Manufacturing  
 5712 Industrial Park Road, Winona, MN USA  
 TF: 1-800-843-7648 P: 1-507-454-2996  
 email: info@thern.com  
 www.thern.com



Thern European Headquarters  
 Amsterdam Schiphol Tetra  
 Siriusdreef 17-27, 2132 WT Hoofddorp  
 The Netherlands  
 +31-546-898380