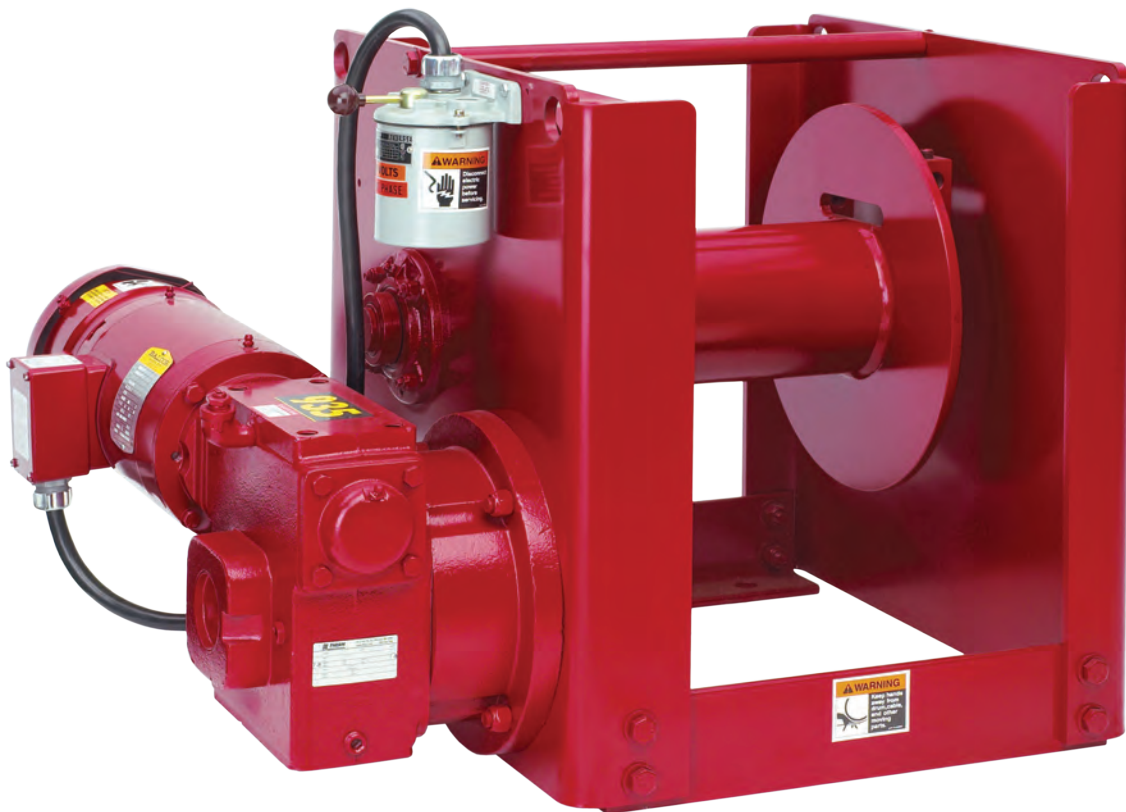




HEAVY-DUTY ELECTRIC POWER WINCH

4WS SERIES



thern.com
(507) 454-2996

4WS SERIES

HEAVY-DUTY ELECTRIC POWER WINCHES



HEAVY-DUTY, DIRECT-DRIVE GEARS

Enhance Load Control and Positioning

The 4WS Series of power winches (800 to 26,000 pounds) is designed to lift, lower, pull, or position heavy loads. Heavy-duty spur and worm gears, plus direct-drive gearing enhance load security and positioning accuracy. Sealed cast-iron gearcase housing with integral oil bath lubricates rotating gears for long service life. Ideal for long-lift or long-pull applications with single-phase power.

Flange-Mounted Premium Motor & Enclosure

- Reversible, three-phase, industrial-grade motor, endures continuous operation. Single-phase version also available
- A totally enclosed, fan-cooled (TEFC) design, featuring IP44+ and F-class insulation, resists debris and contamination for long service life
- Standard motors comply with industry standards: UL, CSA, IEC, and NEMA MG1



Product Shown:
4WS6M12

Durable Gears & Gearbox Design

- Heavy-duty spur gears, providing secondary reduction, are guarded with grease zerks for easy lubrication and maintenance
- Large-capacity bearings enhance smooth operation and durability
- Sealed, cast-iron gearbox with integral oil bath for primary gears dissipates heat and provides continuous lubrication for enhanced service life
- Direct-drive gearing, featuring spur and worm gears, enhance load control and positioning while resisting wear
- Primary speed reducers meet AGMA and/or DIN standards

Load-Holding Motor Disk Brake

- Spring-set, electrically-released brake helps control loads and facilitates safe operation

ASME B30.7 Compliance Available

- Contact Thern for details

Integral Drum & Shaft Design

- Large-diameter, welded-steel drum, featuring outside flange anchors, promotes uniform winding and life of wire rope
- Anchors allow cable to be over or under wound and provide multiple drum exit angles
- Flange-style, self-aligning roller bearings with cast-iron housing maintain smooth drum rotation
- Continuous, solid-steel drum shaft and steel frame provide optimal strength and security
- Complete wire rope assemblies available upon request

PERFORMANCE

Series	IMPERIAL				
	Load Rating	Power Supply	Line Speed	Drum Capacity	Clutch
4WS1M6	1,500 lbs	.5-1.5 hp	17-44 fpm	260 ft	Yes
4WS3M10	3,700 lbs	1-3 hp	8-23 fpm	500 ft	Yes
4WS6M12	6,400 lbs	1-5 hp	4-24 fpm	660 ft	Yes
4WS9M18	10,000 lbs	5-10 hp	13-32 fpm	1,500 ft	No
4WS16M20	16,000 lbs	7.5-15 hp	12-35 fpm	1,530 ft	No
4WS26M26	26,200 lbs	10-25 hp	10-36 fpm	1,480 ft	No

Series	METRIC				
	Load Rating	Power Supply	Line Speed	Drum Capacity	Clutch
4WS1M6	680 kg	.37-1.1 kW	5-13 mpm	79 m	Yes
4WS3M10	1,675 kg	.75-2.2 kW	2-7 mpm	152 m	Yes
4WS6M12	2,900 kg	.75-3.7 kW	1-7 mpm	201 m	Yes
4WS9M18	4,535 kg	3.7-7.5 kW	3-9 mpm	457 m	No
4WS16M20	7,255 kg	5.5-11 kW	3-10 mpm	466 m	No
4WS26M26	11,880 kg	7.5-18.5 kW	3-10 mpm	451 m	No



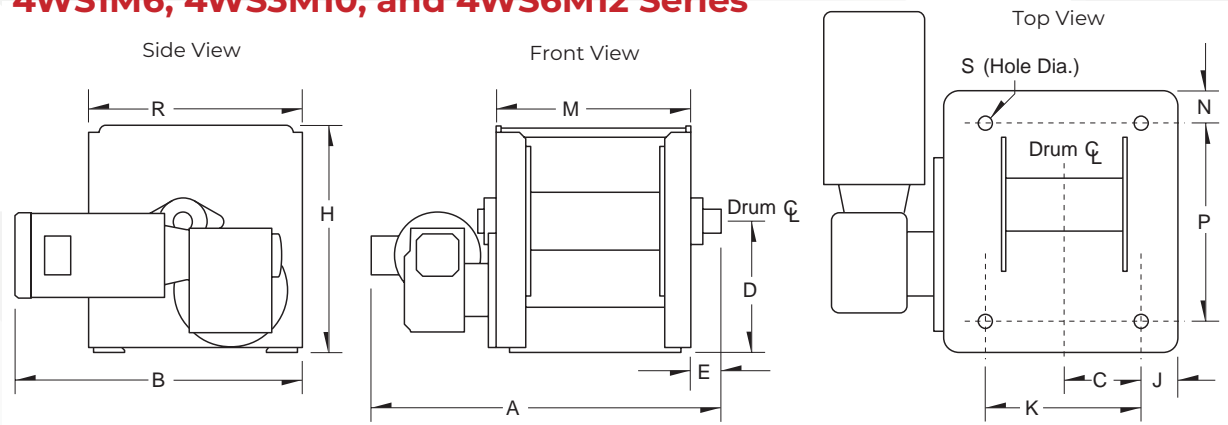
NOTICE: These products are not for lifting people or things over people.

Refer to technical pages for detailed performance information.

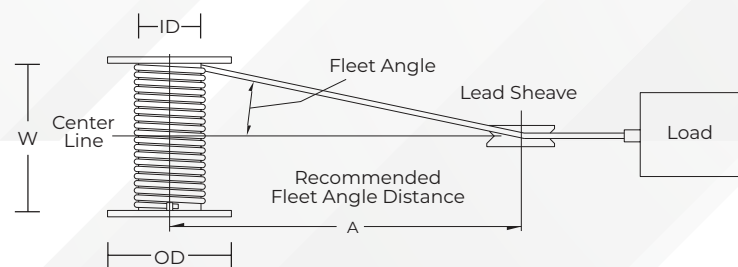
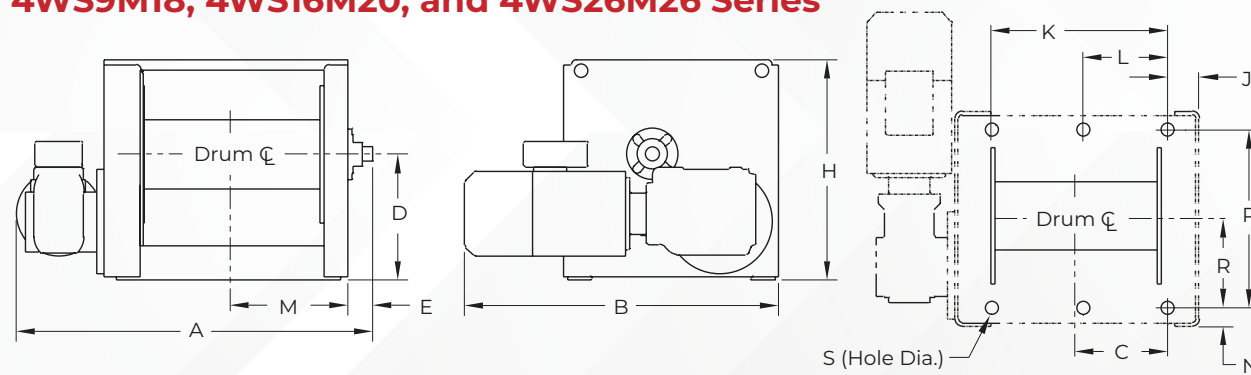
4WS SERIES

HEAVY-DUTY ELECTRIC POWER WINCHES

4WS1M6, 4WS3M10, and 4WS6M12 Series



4WS9M18, 4WS16M20, and 4WS26M26 Series



4WS Series Drum Dimensions

Model	Drum Diameter (ID)		Flange Diameter (OD)		Drum Width (W)		Fleet Angle Distance (A) ¹	
	(in)	(mm)	(in)	(mm)	(in)	(mm)	(ft)	(m)
4WS1M6	2.88	73.16	7	177.8	6	152.4	10	3.05
4WS3M10	4.5	114.3	11.5	292.1	10	254	16	4.88
4WS6M12	5.5	139.7	14	355.6	12	304.8	20	6.1
4WS9M18	9	229	20	508	18	457	29	8.8
4WS16M20	10.75	273	24	610	20	508	32	9.8
4WS26M26	14	356	28	711	26	660	42	12.8

¹ Recommended minimum distance between drum and lead sheave for smooth drum.

Dimensions are for reference only and subject to change without notice. Please contact Thern for exact dimensions.

Electric Drum Control Switches

Model	Description	115/1/60 ²	230/1/60	230/3/60	460/3/60
10L2A1	NEMA 1	to 1.5 hp	to 2 hp	to 3 hp	to 3 hp
10L7E1	NEMA 1	to 1.5 hp	to 3 hp	to 5 hp	to 7.5 hp
10L2A4	NEMA 4 — watertight	to 1.5 hp	to 2 hp	to 3 hp	to 3 hp
10L7E4	NEMA 4 — watertight	—	to 3 hp	to 5 hp	to 7.5 hp
10P1A46	6-foot pendant control	to 1 hp	—	—	—

Please contact Thern or nearest Thern distributor for firm, fixed price and delivery.
²Controls for 115V single phase motors up to 1.5 hp, include an 8-foot power cord with grounded plug.

Controls include NEMA 4 rated enclosure and NEMA 4X rated pendant control on 50-foot cord.
 Motor controls sold separately. Please contact Thern or nearest Thern distributor for firm, fixed price and delivery. All prices include mounting and wiring to motor.

Electric Motor Controls

Model	Description	Approx. Ship Wt.	
		(lb)	(kg)
10S3D4	electric motor controls 230/3/60 to 3 hp	25	12
10S7D4	electric motor controls 230/3/60 to 7.5 hp	25	12
10S10D4	electric motor controls 230/3/60 to 10 hp	28	13
10S20D4	electric motor controls 230/3/60 to 20 hp	28	13
10S30D4	electric motor controls 230/3/60 to 30 hp	60	28
10S7E4	electric motor controls 460/3/60 to 7.5 hp	25	12
10S15E4	electric motor controls 460/3/60 to 15 hp	25	12
10S20E4	electric motor controls 460/3/60 to 20 hp	28	13
10S40E4	electric motor controls 460/3/60 to 40 hp	60	28

4WS Series Drum Capacities

Wire Rope Diameter	Breaking Strength ³	Drum Capacity	4WS1M6		4WS3M10		4WS6M12		4WS9M18		4WS16M20		4WS26M26	
			(in)	(mm)	(lb)	(kg)	(ft)	(m)	(ft)	(m)	(ft)	(m)	(ft)	(m)
3/16	4,200	1,905	1st	21	6	—	—	—	—	—	—	—	—	—
			Mid	110	33	—	—	—	—	—	—	—	—	—
			Full	260	79	—	—	—	—	—	—	—	—	—
1/4	7,000	3,175	1st	16	4	—	—	—	—	—	—	—	—	—
			Mid	62	18	—	—	—	—	—	—	—	—	—
			Full	140	42	—	—	—	—	—	—	—	—	—
5/16	9,800	4,445	1st	—	—	34	10	—	—	—	—	—	—	—
			Mid	—	—	220	67	—	—	—	—	—	—	—
			Full	—	—	500	152	—	—	—	—	—	—	—
3/8	15,100	6,849	1st	—	—	27	8	40	12	—	—	—	—	—
			Mid	—	—	160	48	300	91	—	—	—	—	—
			Full	—	—	360	109	660	201	—	—	—	—	—
7/16	20,400	9,254	1st	—	—	23	7	34	10	87	26.5	—	—	—
			Mid	—	—	120	36	220	67	670	204.2	—	—	—
			Full	—	—	270	82	500	152	1,500	457.2	—	—	—
1/2	26,600	12,066	1st	—	—	—	—	30	9	76	23.2	—	—	—
			Mid	—	—	—	—	170	51	520	158.5	—	—	—
			Full	—	—	—	—	390	118	1,170	356.6	—	—	—
9/16	33,600	15,240	1st	—	—	—	—	26	7	67	20.4	89	27.1	—
			Mid	—	—	—	—	140	42	420	128.0	690	210.3	—
			Full	—	—	—	—	310	94	930	283.5	1,530	466.3	—
5/8	41,200	18,688	1st	—	—	—	—	—	—	59	18	78	23.8	—
			Mid	—	—	—	—	—	—	340	103.6	560	170.7	—
			Full	—	—	—	—	—	—	760	231.6	1,250	381	—
3/4	58,800	26,671	1st	—	—	—	—	—	—	48	14.6	65	19.8	110
			Mid	—	—	—	—	—	—	240	73.2	400	121.9	670
			Full	—	—	—	—	—	—	540	164.6	880	268.2	1,480
7/8	79,600	36,106	1st	—	—	—	—	—	—	—	54	16.5	94	28.7
			Mid	—	—	—	—	—	—	—	—	290	88.4	480
			Full	—	—	—	—	—	—	—	—	640	195.1	1,070
1	103,400	46,902	1st	—	—	—	—	—	—	—	47	14.3	82	25.0
			Mid	—	—	—	—	—	—	—	—	220	67.1	370
			Full	—	—	—	—	—	—	—	—	490	149.4	830
1-1/8	130,000	58,968	1st	—	—	—	—	—	—	—	—	—	71	21.6
			Mid	—	—	—	—	—	—	—	—	—	—	300
			Full	—	—	—	—	—	—	—	—	—	—	660
1-1/4	159,800	72,485	1st	—	—	—	—	—	—	—	—	—	63	19.2
			Mid	—	—	—	—	—	—	—	—	—	—	240
			Full	—	—	—	—	—	—	—	—	—	—	530
1-3/8	192,000	87,090	1st	—	—	—	—	—	—	—	—	—	56	17.1
			Mid	—	—	—	—	—	—	—	—	—	—	200
			Full	—	—	—	—	—	—	—	—	—	—	440

Values based on 6x37 IWRC EIPS wire rope.

Actual drum capacities 25–30% less due to nonuniform winding. Wire rope tension will also affect drum capacity.

³ Wire rope should be selected based on the breaking strength to load rating ratio and application parameters. Industry standards suggest a 5:1 breaking strength to load rating ratio for lifting and a 3:1 ratio for pulling.

4WS1M6, 4WS3M10, and 4WS6M12 Series Winch Dimensions (in)

Model Extension	A ⁴	B ⁴	C	D	E	H	J	K	M	N	P	R	S (Hole Dia.)
4WS1M6-800-15	21	21.62	3	6.75	2.25	11.75	1.75	6	9.75	1.25	8.5	11	.44
4WS1M6-800-30	21	22.38	3	6.75	2.25	11.75	1.75	6	9.75	1.25	8.5	11	.44
4WS1M6-800-40	21.75	23.38	3	6.75	2.25	11.75	1.75	6	9.75	1.25	8.5	11	.44
4WS1M6-1100-20	21	22.38	3	6.75	2.25	11.75	1.75	6	9.75	1.25	8.5	11	.44
4WS1M6-1100-30	21.75	23.38	3	6.75	2.25	11.75	1.75	6	9.75	1.25	8.5	11	.44
4WS1M6-1100-40	21.75	22.38	3	6.75	2.25	11.75	1.75	6	9.75	1.25	8.5	11	.44
4WS1M6-1500-20	21.75	23.38	3	6.75	2.25	11.75	1.75	6	9.75	1.25	8.5	11	.44
4WS1M6-1500-30	21.75	22.38	3	6.75	2.25	11.75	1.75	6	9.75	1.25	8.5	11	.44
4WS1M6-1500-40	21.75	25	3	6.75	2.25	11.75	1.75	6	9.75	1.25	8.5	11	.44
4WS3M10-2000-15	27.75	26.75	5	10.12	2.38	17.5	2.38	10	15	1.88	12.75	16.5	.59
4WS3M10-2000-20	27.75	25.75	5	10.12	2.38	17.5	2.38	10	15	1.88	12.75	16.5	.59
4WS3M10-2500-20	27.75	28.25	5	10.12	2.38	17.5	2.38	10	15	1.88	12.75	16.5	.59
4WS3M10-3000-15	27.75	25.75	5	10.12	2.38	17.5	2.38	10	15	1.88	12.75	16.5	.59
4WS3M10-3000-20	27.75	28.25	5	10.12	2.38	17.5	2.38	10	15	1.88	12.75	16.5	.59
4WS3M10-3500-7	27.75	32	5	10.12	2.38	17.5	2.38	10	15	1.88	12.75	16.5	.59
4WS3M10-3500-15	27.75	28.25	5	10.12	2.38	17.5	2.38	10	15	1.88	12.75	16.5	.59
4WS3M10-3500-20	28.81	33	5	10.12	2.38	17.5	2.38	10	15	1.88	12.75	16.5	.59
4WS6M12-3000-10	33	26.75	5.62	12.88	2.5	22.5	3.25	12	19	1.88	18.25	22	.88
4WS6M12-3000-20	33	29.5	5.62	12.88	2.5	22.5	3.25	12	19	1.88	18.25	22	.88
4WS6M12-4000-6	33	27.75	5.62	12.88	2.5	22.5	3.25	12	19	1.88	18.25	22	.88
4WS6M12-4000-10	33	29.5	5.62	12.88	2.5	22.5	3.25	12	19	1.88	18.25	22	.88
4WS6M12-4000-20	34	29.25	5.62	12.88	2.5	22.5	3.25	12	19	1.88	18.25	22	.88
4WS6M12-6000-4	33	27.75	5.62	12.88	2.5	22.5	3.25	12	19	1.88	18.25	22	.88
4WS6M12-6000-10	34	29.25	5.62	12.88	2.5	22.5	3.25	12	19	1.88	18.25	22	.88
4WS6M12-6000-20	34	31	5.62	12.88	2.5	22.5	3.25	12	19	1.88	18.25	22	.88

Dimensions are for reference only and subject to change without notice. Please contact Thern for exact dimensions.

⁴ Dimensions A and B may vary with motor selection.

4WS9M18, 4WS16M20, and 4WS26M26 Series Winch Dimensions

Model	A		B		C		D		E		H		J		K		L		M		N		P		R		S (hole dia.)		Ship Weight	
	(in)	(mm)	(in)	(mm)	(in)	(mm)	(in)	(mm)	(in)	(mm)	(in)	(mm)	(in)	(mm)	(in)	(mm)	(in)	(mm)	(in)	(mm)	(in)	(mm)	(in)	(mm)	(in)	(mm)	(in)	(mm)	(lb)	(kg)
4WS9M18-7000-20	44	1,118	33.75	857	8.5	216	17.75	451	5.13	130	31	787	4	102	18	457	-	-	12.5	318	2.75	70	22	559	12.5	318	1-3/16	30	1,100	499
4WS9M18-7000-30	45.5	1,156	38.5	978	8.5	216	17.75	451	5.13	130	31	787	4	102	18	457	-	-	12.5	318	2.75	70	22	559	12.5	318	1-3/16	30	1,100	499
4WS9M18-10000-10	44	1,118	33.75	857	8.5	216	17.75	451	5.13	130	31	787	4	102	18	457	-	-	12.5	318	2.75	70	22	559	12.5	318	1-3/16	30	1,100	499
4WS9M18-10000-20	45.5	1,156	38.5	978	8.5	216	17.75	451	5.13	130	31	787	4	102	18	457	-	-	12.5	318	2.75	70	22	559	12.5	318	1-3/16	30	1,100	499
4WS9M18-10000-30	45.5	1,156	40	1,016	8.5	216	17.75	451	5.13	130	31	787	4	102	18	457	-	-	12.5	318	2.75	70	22	559	12.5	318	1-3/16	30	1,160	527
4WS16M20-13000-15	48	1,219	34.75	883	9.5	241	20	508	6.25	159	34	864	4	102	20	508	10	254	13.5	343	2.75	70	27.5	699	16.25	413	1-3/16	30	1,550	704
4WS16M20-13000-20	48	1,219	37	940	9.5	241	20	508	6.25	159	34	864	4	102	20	508	10	254	13.5	343	2.75	70	27.5	699	16.25	413	1-3/16	30	1,610	731
4WS16M20-13000-35	48	1,219	39.5	1,003	9.5	241	20	508	6.25	159	34	864	4	102	20	508	10	254	13.5	343	2.75	70	27.5	699	16.25	413	1-3/16	30	1,650	749
4WS16M20-16000-15	48	1,219	34.75	883	9.5	241	20	508	6.25	159	34	864	4	102	20	508	10	254	13.5	343	2.75	70	27.5	699	16.25	413	1-3/16	30	1,550	704
4WS16M20-16000-20	48	1,219	37	940	9.5	241	20	508	6.25	159	34	864	4	102	20	508	10	254	13.5	343	2.75	70	27.5	699	16.25	413	1-3/16	30	1,610	731
4WS26M26-22000-20	60.5	1,537	43.5	1,105	12.38	314	25.38	645	8.06	205	44.5	1,130	5.88	149	26	660	13	330	18.25	464	3	76	36	914	21.75	552	1-3/8	35	3,110	1,411
4WS26M26-22000-25	60.5	1,537	47	1,194	12.38	314	25.38	645	8.06	205	44.5	1,130	5.88	149	26	660	13	330	18.25	464	3	76	36	914	21.75	552	1-3/8	35	3,290	1,493
4WS26M26-22000-35	60.5	1,537	50	1,270	12.38	314	25.38	645	8.06	205	44.5	1,130	5.88	149	26	660	13	330	18.25	464	3	76	36	914	21.75	552	1-3/8	35	3,350	1,520
4WS26M26-26000-10	60.5	1,537	42	1,067	12.38	314	25.38	645	8.06	205	44.5	1,130	5.88	149	26	660	13	330	18.25	464	3	76	36	914	21.75	552	1-3/8	35	3,070	1,393
4WS26M26-26000-15	60.5	1,537	43.5	1,105	12.38	314	25.38	645	8.06	205	44.5	1,130	5.88	149	26	660	13	330	18.25	464	3	76	36	914	21.75	552	1-3/8	35	3,110	1,411

Dimensions are for reference only and subject to change without notice. Please contact Thern for exact dimensions.

4WS1M6, 4WS3M10, and 4WS6M12 Series Performance Characteristics

Model Number	Model Number Extensions					Motor	Load Rating						Line Speed				Approx. Ship Weight ⁶		
	Load Rating		Line Speed		Motor Codes ⁵		Clutch Opt	1st Layer		Mid Drum		Full Drum		1st Layer		Full Drum			
	(lb)	(kg)	(fpm)	(mpm)				(hp)	(lb)	(kg)	(lb)	(kg)	(lb)	(kg)	(fpm)	(mpm)	(fpm)	(mpm)	(lb)
4WS1M6	800	362	15	4	ABDEF	C	.5	800	362	550	249	420	190	17	5	33	10	155	71
4WS1M6	800	362	30	9	ABDEF	C	.75	800	362	550	249	420	190	29	8	55	16	165	75
4WS1M6	800	362	40	12	ABDEF	C	1	800	362	550	249	420	190	43	13	82	24	175	80
4WS1M6	1,100	498	20	6	ABDEF	C	.75	1,100	498	800	362	600	272	18	5	32	9	165	75
4WS1M6	1,100	498	30	9	ABDEF	C	1	1,100	498	800	362	600	272	30	9	54	16	175	80
4WS1M6	1,100	498	40	12	DEF	C	1.5	1,100	498	800	362	600	272	44	13	81	24	170	77
4WS1M6	1,500	680	20	6	ABDEF	C	1	1,500	680	1,000	453	800	362	18	5	32	9	175	80
4WS1M6	1,500	680	30	9	DEF	C	1.5	1,500	680	1,100	498	800	362	30	9	54	16	170	77
4WS1M6	1,500	680	40	12	BDEF	C	2	1,500	680	1,100	498	800	362	44	13	81	24	180	82
Clutch option for 4WS1M6 (for horizontal pulling only)																	add:	5	3
4WS3M10	2,000	907	15	4	ABDEF	C	1	2,000	907	1,300	589	1,000	453	14	4	29	8	310	141
4WS3M10	2,000	907	20	6	DEF	C	1.5	2,200	997	1,400	635	1,000	453	18	5	39	11	305	139
4WS3M10	2,500	1,133	20	6	BDEF	C	2	2,500	1,133	1,600	725	1,200	544	22	6	46	14	320	146
4WS3M10	3,000	1,360	15	4	DEF	C	1.5	3,000	1,360	2,000	907	1,500	680	14	4	29	8	305	139
4WS3M10	3,000	1,360	20	6	BDEF	C	2	3,000	1,360	2,000	907	1,500	680	19	5	39	11	320	146
4WS3M10	3,500	1,587	7	2	ABDEF	C	1	3,500	1,587	2,300	1,043	1,700	771	8	2	15	4	330	150
4WS3M10	3,500	1,587	15	4	BDEF	C	2	3,700	1,678	2,500	1,133	1,800	816	14	4	29	8	320	146
4WS3M10	3,500	1,587	20	6	DEF	C	3	3,700	1,678	2,500	1,133	1,800	816	23	7	46	14	330	150
Clutch option for 4WS3M10 (for horizontal pulling only)																	add:	8	4
4WS6M12	3,000	1,360	10	3	DEF	C	1.5	3,400	1,542	2,200	997	1,600	725	12	3	25	7	515	234
4WS6M12	3,000	1,360	20	6	BDEF	C	2	3,100	1,406	2,000	907	1,500	680	20	6	42	12	530	241
4WS6M12	4,000	1,814	6	2	ABDEF	C	1	4,500	2,041	2,900	1,315	2,200	997	6	2	13	4	535	243
4WS6M12	4,000	1,814	10	3	BDEF	C	2	4,500	2,041	2,900	1,315	2,100	952	12	3	25	7	530	241
4WS6M12	4,000	1,814	20	6	DEF	C	3	4,000	1,814	2,500	1,133	1,900	861	24	7	50	15	540	245
4WS6M12	6,000	2,721	4	1	ABDEF	C	1	6,200	2,812	4,000	1,814	3,000	1,360	4	1	8	2	535	243
4WS6M12	6,000	2,721	10	3	DEF	C	3	6,400	2,902	4,200	1,905	3,100	1,406	12	3	25	7	540	245
4WS6M12	6,000	2,721	20	6	DEF	C	5	6,400	2,902	4,200	1,905	3,100	1,406	24	7	50	15	585	266
Clutch option for 4WS6M12 (for horizontal pulling only)																	add:	12	6

When ordering, please indicate Model Number and Extensions. Examples: 4WS1M6-1100-20-A (without clutch); 4WS1M6-1100-20-A-C (with clutch).
Please contact Thern or nearest Thern distributor for firm, fixed price and delivery.
⁶ Weight may vary with motor.

Motor Codes		
A	115 volt	1 phase
B	230 volt	1 phase
D	230 volt	3 phase
E	460 volt	3 phase
F	All other voltages, please contact Thern.	

4WS9M18, 4WS16M20, and 4WS26M26 Series Performance Characteristics

Model	Model Number Extensions				Motor	Load Rating						Line Speed				
	Load Rating		Line Speed			Motor Codes ⁷	1st Layer		Mid Drum		Full Drum		1st Layer		Full Drum	
	(lb)	(kg)	(fpm)	(mpm)			(lb)	(kg)	(lb)	(kg)	(lb)	(kg)	(fpm)	(mpm)	(fpm)	(mpm)
4WS9M18	7,000	3,125	20	6	D, E, F	5	7,300	3,312	5,000	2,268	3,800	1,724	21	6.4	41	12.5
4WS9M18	7,000	3,125	30	9	D, E, F	7.5	7,500	3,402	5,200	2,359	4,000	1,815	32	9.8	61	18.6
4WS9M18	10,000	4,536	10	3	D, E, F	5	10,000	4,536	6,900	3,130	5,300	2,405	13	4.0	24	7.3
4WS9M18	10,000	4,536	20	6	D, E, F	7.5	10,000	4,536	6,900	3,130	5,300	2,405	21	6.4	41	12.5
4WS9M18	10,000	4,536	30	9	D, E, F	10	10,000	4,536	6,900	3,130	5,200	2,359	32	9.8	61	18.6
4WS16M20	13,000	5,897	15	4	D, E, F	7.5	13,000	5,897	8,800	3,992	6,700	3,040	14	4.3	26	7.9
4WS16M20	13,000	5,897	20	6	D, E, F	10	13,300	6,033	9,100	4,128	6,900	3,130	18	5.5	35	10.7
4WS16M20	13,000	5,897	35	10	D, E, F	15	13,000	5,897	8,900	4,038	6,700	3,040	35	10.7	68	20.7
4WS16M20	16,000	7,258	15	4	D, E, F	7.5	16,000	7,258	11,100	5,035	8,500	3,856	12	3.7	24	7.3
4WS16M20	16,000	7,258	20	6	D, E, F	10	16,000	7,258	11,100	5,035	8,500	3,856	16	4.9	31	9.4
4WS26M26	22,000	9,947	20	6	D, E, F	15	22,800	10,343	16,700	7,576	13,200	5,988	18	5.5	31	9.4
4WS26M26	22,000	9,947	25	7	D, E, F	20	22,600	10,252	16,500	7,485	13,100	5,943	25	7.6	43	13.1
4WS26M26	22,000	9,947	35	10	D, E, F	25	22,200	10,070	16,300	7,394	12,900	5,852	36	11.0	63	19.2
4WS26M26	26,000	11,805	10	3	D, E, F	10	26,200	11,885	19,400	8,800	15,400	6,986	10	3.0	17	5.2
4WS26M26	26,000	11,805	15	4	D, E, F	15	26,000	11,794	20,200	9,163	16,500	7,485	16	4.9	27	8.2

Please contact Thern or nearest Thern distributor for firm, fixed price and delivery.

Motor Codes		
D	230 volt	3 phase
E	460 volt	3 phase
F	All other voltages, please contact Thern.	



MADE IN USA 

Thern, Incorporated

World Headquarters
5712 Industrial Park Road Winona, MN USA
Toll Free: 1-800-843-7648
Phone: 1-507-454-2996
www.thern.com

Thern Europe

Bedrijvenpark Twente 454e
7602 KM Almelo The Netherlands
Phone: +31-546-898-380
europa@thern.com